

# KA-1300RX



\*Traveling position in working site

<http://www.kato-works.co.jp>

- Study and follow the local regulation for driving position regarding mounting of Superstructure, Boom, Fly jib and Counter weight.
- Before you use the crane, study the instruction manual thoroughly and follow the instructions it contains.
- Some differences may arise between the machine delivered and the photographs in the catalog due to the country the crane will be used in or any added improvements.  
Note : The specification may be changed without notice.
- The actual colors of the body and interior may appear slightly different from those shown in this catalogue due to the limitations of photography and printing.

● Contact for enquiry:



KA-1300RX

9-37, Higashi-ohi 1-chome, Shinagawa-ku, Tokyo, 140-0011, Japan / Tel.: Head Office: Tokyo (03) 3458-1111 Overseas Marketing Department: Tokyo (03) 3458-1115 / FAX: Tokyo (03) 3458-1163

# KA-1300RX ALLTERR



\*Traveling position in working site

# KATO



# KA-1300RX

## ALLTERR

Advanced ALLTERR  
Various operations

- **New counterweight configurations**  
Stability has increased, maximum 24 ton, 16 ton, 8.5 ton counterweight is selectable.
- **Removable SL Jib**  
“Jib mounted” “Jib removed” “Jib side stow” 3-mode lifting capacity is selectable.
- **New engine for superstructure**  
Adopt clean and reliable Mercedes-Benz engine.
- **Touch panel type information display**  
Various crane information is available on display, including fuel information.
- **New winch system**  
High speed lowering mode has been adopted.
- **Both left-hand drive and right-hand drive are available for chassis**







**New counterweight configurations  
4.1 m tail slewing radius with full counterweight equipped on crane**

1 Weight on carrier specification  
Tail slewing radius: 3.28 m



3.28m tail slewing radius is one of the shortest among this class of mobile crane

2 8.5 ton weight specification  
Tail slewing radius: 3.89 m



3 16 ton weight specification  
Tail slewing radius: 4.1 m



4 24 ton weight specification  
Tail slewing radius: 4.1 m



**48m x 1.9 ton with 24 ton weight  
without SL Jib**

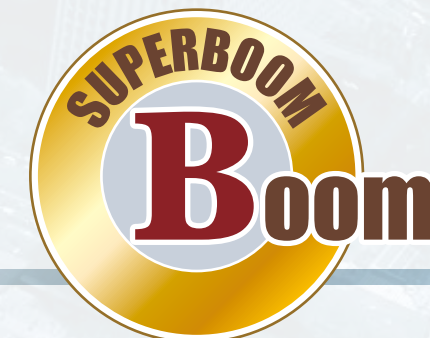


**4-section high tensile steel  
round-shaped SL Jib**



Jib lifting capacity	
Jib length	9.2m~26.6m
Maximum rated lifting height	79.6m
44m+9.2mSL (5°)	
at 18m working radius	7.0t
52m+26.6mSL (2°)	
at maximum rated lifting height	2.0t
(Performance is same up to 30m working radius)	
52m+26.6mSL (45°)	
at 58m working radius	0.7t

SL Jib removed boom specification is selectable  
Correspond to various working sites



**6-section SUPERBOOM**

Strong and reliable speedy extension/retraction may approach to any working site flexible

**High rigidity by round-shaped boom**

Boom lifting capacity	
Maximum rated lifting capacity	130t x 2.5m
Boom length	11.8m~52.0m
Maximum rated lifting height	53.1m
Boom derricking angle	-1.8~85°
Maximum rated lifting capacity (fully extended)	12.0t



2~60°

9.2~26.6m

11.8~52m

-1.8~85°



Safety, Comfortable & Advanced functions

# OPERATION CABIN Cabin



\*Display is composite picture

▲Cabin

## Wide visibility, easy control levers position provide comfortable operator's working environment.

- Configuration of control levers are common to the KATO's rough terrain crane. An operator of rough terrain crane will like most his habitually used lever configuration.
- Hydraulic pilot type of operation control levers enable both smooth fine-operation and rapid operation.
- Panoramic wide visibility is provided with wide roof window.

## Equipped with tilting Operator's cabin.

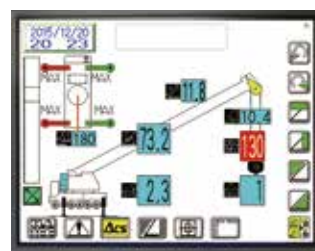
- The operator's cabin can be tilted from **0 to 15** degree. Very comfortable and healthy for the operator during high lifting height operation.

## KATO's latest Safe Load Indicator (ACS) is equipped.

- Touch panel type color display with multi functional system.
- It enables to indicate hook height to facilitate operator's task.
- Working range limiter can be set by the Crane's position as well as value of distance/angle.



▲Tilting cabin



▲Touch panel type color display

# PROGRESSIVE PARTS Equipments

## Other equipments for the safety and the better workability



▲Anemometer



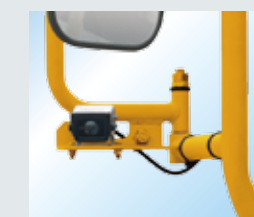
▲Slide step (cab)



▲Adjustable suspension seat



▲Lamp for slewing bearing (at maintenance)



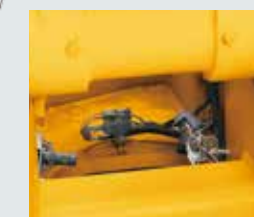
▲Left side view camera



▲ACS outside indicator



▲Slide step



▲Rotary brush lamp



\*Traveling position in working site

## 6-position outriggers



- Minimum extended 3.4m
- Intermediately extended 4.4m
- Intermediately extended 5.4m
- Intermediately extended 6.4m
- Intermediately extended 7.4m
- Fully extended 8.4m

# KATO CARRIER Carrier

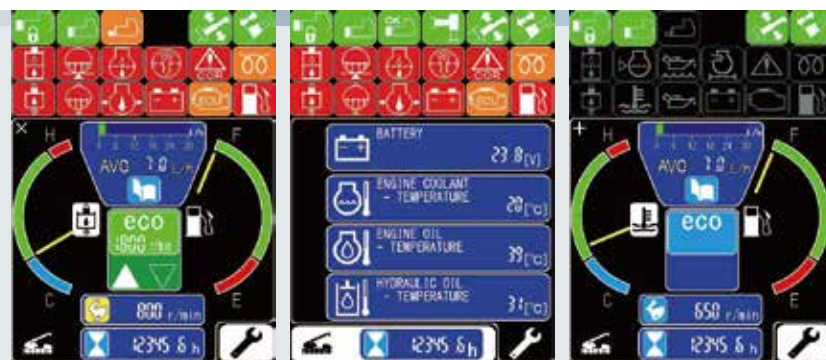
Original designed carrier for crane



▲Left and right hand drive are selectable

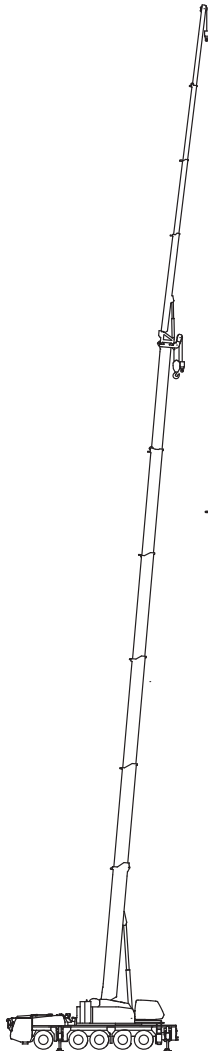
## Touch panel type information display





- Operator can save fuel consumption by checking fuel efficiency and working time on display.
- ECO switch controls engine speed to save fuel and reduce noise during operation.





# ALLTERR KA-1300RX



→		Boom (Operation of boom with heavy load unit) .....	10
→		Boom (Operation of boom with SL jib stowed into leftside of boom) .....	11
→		Boom (Operation of boom without SL jib) .....	14
→		Super luffing jib (Operation of SL jib) .....	17

## Table of contents

SPECIFICATION .....	3
Notes for the lifting capacity chart .....	4
Working ranges for crane with heavy load unit .....	6
Super luffing jib (SL Jib) WORKING RANGES (44.0m Boom+9.2 ~ 26.6m SL Jib) .....	7
Super luffing jib (SL Jib) WORKING RANGES (48.0m Boom+9.2 ~ 26.6m SL Jib) .....	8
Super luffing jib (SL Jib) WORKING RANGES (52.0m Boom+9.2 ~ 26.6m SL Jib) .....	9
LIFTING CAPACITIES	
Boom (Operation of boom with heavy load unit) .....	10
Boom (Operation of boom with SL jib stowed into leftside of boom) .....	11
Boom (Operation of boom without SL jib) .....	14
Super luffing jib (Operation of SL jib) .....	17
Overall view .....	27
Public road driving conditions .....	29
Minimum right-angle passage width for machine with Jib .....	30
Dimensions and weight .....	31







## [SPECIFICATION]

### ■ CRANE Specification

Description	KATO FULLY HYDRAULIC ALL TERRAIN CRANE	
Model	KA-1300RX	
Maximum lifting capacity	130ton×2.5m	
Boom length	11.8m — 52.0m (6 section)	
SL jib length	9.2m—26.6m (4 section)	
Hoisting line speed (winch up)	Main winch	115m / min. (at 4th layer)
	Auxiliary winch	115m / min. (at 4th layer)
Hoisting hook speed (winch up)	Main winch	(Parts of line; 19) : 6m / min. (at 4th layer)
	Auxiliary winch	(Parts of line; 1) : 115m / min. (at 4th layer)
Boom derricking angle	-1.8° — 85°	
Boom derricking time	70s / -1.8° — 85°	
Boom extending speed	40.2m / 158s	
Slewing speed	High	1.8min <sup>-1</sup>
	Low	0.95min <sup>-1</sup>
Speed / Time	Subject to no load	

#### ● Equipment and structure

Winch system Main & Auxiliary winches	Driven by axial plunger type hoisting motor through planetary gear reduction. Controlled independently by respective operating lever. Equipped with automatic brake.	
Counterweight	8.5ton, 16ton, 24ton Hydraulic removal system	
Outriggers	Type	Hydraulic H-beam type (2section)
	Extension width	8,400mm (Fully extended)
		7,400mm (Intermediately extended)
		6,400mm (Intermediately extended)
		5,400mm (Intermediately extended)
		4,400mm (Intermediately extended)
3,400mm (Minimum extended)		
Wire rope for hoisting	Main winch	Diameter: 20mm×Length: 280m
	Auxiliary winch	Diameter: 20mm×Length: 170m

#### ● Engine

Maker	Mercedes-Benz	
Model	OM906LA (Stage 3A)	
Type	4 cycle, 6 cylinders, water cooled, direct injection turbo-charged diesel engine with intercooling	
Piston displacement	6.37L	
Max. power	150kW at 2200min <sup>-1</sup>	
Max. torque	750N·m at 1200min <sup>-1</sup>	
Electric system	24V	
Batteries	115F51×2	
Fuel tank capacity	250L	

#### ● Hydraulic system

Oil pump	Double variable axial plunger pump and 2 gear pumps	
Hydraulic motor	Hoisting motor	Axial plunger type
	Slewing motor	Axial plunger type
Control valve	Double acting with integral check and relief valves	
Cylinder	Double acting type	
Oil reservoir capacity	1115L	

#### ● Safety devices

ACS (Automatic Crane System with voice alarm), Working range limit mode, Outrigger status detector, Boom derricking / telescoping holding valve, Overhoist prevention device, Drum lock device, Winch holding valve, Automatic winch brake, Winch drum rope tension roller, Outrigger lock pins, Slewing lock, Slewing brake, Hydraulic safety valves, Side mirror, Winch drum turning indication device, Engine oil pressure warning device, Battery charge warning device, Coolant temperature warning device, Coolant level warning device, Fuel level warning device, Hydraulic oil return filter warning device, Hydraulic oil temperature warning device, ACS outside indicator, Stanchion on boom, Slewing warning lamp

#### ● Operator's cab

All steel welded construction, 1 person, Rubber mounted, Tiltable (approx.15°), Air conditioner, Accessory socket (24V), Front windscreen wiper & washer, Roof window wiper & washer, Access step light, AM/FM Radio, Floor mat, Power Window (external closing switch), Sun visor, Fire extinguisher

#### ● Standard equipment

Boom dismount device, Slewing upper structure dismount device, Hydraulic oil cooler, Working light (on table and cab), Searchlight, Winch view camera, PA system, Anemometer, Side view camera, Hook for 130 / 70 ton, Hook for 50 ton, Hook for 7.8 ton

#### ● Optional equipment

Tea table, Wire rope to dismount various things, Spark arrester, Slewing warning buzzer, Yellow rev. light

### ■ CARRIER Specification

Maker	KATO	
Model	KA5160	
● Carrier Specification (Only carrier)		
Maximum traveling speed	75km/h	
Grade ability (tan θ)	0.60 (computed at G.V.W. = 36,620kg)	
Minimum turning radius	10.4m	
● General dimensions (Only carrier)		
Overall length	13,230mm	
Overall width	2,990mm	
Overall height	2,750mm	
Wheel base	2,750+1,650+1,850+1,650=7,900mm	
Treads	Front	2,500mm
	Rear	2,500mm
Gross vehicle weight	36,620kg	
Front axle	17,360kg (1 <sup>st</sup> and 2 <sup>nd</sup> Axles)	
Rear axle	19,260kg (3 <sup>rd</sup> , 4 <sup>th</sup> and 5 <sup>th</sup> Axles)	

#### ● General dimensions (Fully equipped)

Overall length	14,565mm	
Overall width	2,990mm	
Overall height	4,000mm	

#### ● Engine

Maker	Mercedes-Benz	
Model	OM502LA (on Highway EURO 3)	
Type	4 cycle, 8 cylinders, water cooled, direct injection turbo-charged diesel engine with intercooling	
Piston displacement	15.927L	
Max. power	390kW at 1,800min <sup>-1</sup>	
Max. torque	2,400N·m at 1,080min <sup>-1</sup>	
Torque converter	Engine mounted 3 elements 1 stage (with lock up clutch)	
Transmission	Remote mounted full automatic 5 forward & 1 reverse speed	
Axles	All axles steered 1 <sup>st</sup> , 2 <sup>nd</sup> , 4 <sup>th</sup> and 5 <sup>th</sup> axles driven and have planetary gears reduction and differential lock Inter-axle differential lock on 4 <sup>th</sup> axle	
Suspension	Hydro-pneumatic suspension Hydraulic locking device with suspension cylinder	
Brake system	Service brake	2 circuit brake 10 wheels servo-air brake, all axles are equipped with disc brakes
	Parking brake	Spring applied, electrically air released parking brake (2 <sup>nd</sup> , 3 <sup>rd</sup> , 4 <sup>th</sup> and 5 <sup>th</sup> Axles)
	Auxiliary brake	Engine brake (Compression brake), Exhaust brake, Hydraulic retarder
Steering	Semi-integral hydraulic power steering of front two axles and automatic steering of the 3 <sup>rd</sup> , 4 <sup>th</sup> and 5 <sup>th</sup> axles	
Tire size	10 tires, 445 / 95 R25 177E ROAD	
Electric system	24V	
Batteries	145G51×2	
Fuel tank capacity	500L	
Driver's cab	All steel welded construction, 2 persons	

#### ● Safety devices

Emergency steering device, Engine over speed alarm, Three-point seat belt (Driver), Suspension lock, Electric adjustable side mirrors, Warning reflector, Engine management & warning system, Transmission management & warning system, Radiator coolant level warning device, Low air warning device, Brake light / parking light disconnection warning device, Rear view camera, Brake wear indicator

#### ● Standard equipment

Adjustable steering wheel, Air conditioner, Power Window, Adjustable suspension seat, Tachograph, Sun visor, Centralized lubricating system, Air dryer, AM/FM Radio, Towing hook (front and rear, eye type), Discharge head lamp

#### ● Optional equipments

Air heater




## ■ Notes for the lifting capacity chart

1. The lifting capacity chart indicates the maximum load which can be lifted by this crane provided it is level and standing on firm level ground. The values in the chart include the mass of the main hook and slings for boom operation, and auxiliary hook and slings for SL jib operation.


The values enclosed with thick lines in the lifting capacity chart are determined by the structural strength of the crane, and the values below the enclosed areas are determined by the crane's stability.

2. The lifting capacity is classified into the following lifting performance groups depending on the outrigger extension width and the counterweight mounting state.


### Operation of Boom with heavy load unit

	Outrigger	Counterweight mounting state	
	extension width	24ton counterweight mounted to crane	16ton counterweight mounted to crane
	8.4m	BB1	BB1


### Operation of boom with SL jib stowed into leftside of boom

	Outrigger	Counterweight mounting state				
	extension width	24ton counterweight mounted to crane	16ton counterweight mounted to crane	8.5ton counterweight mounted to crane	24ton or 16ton counterweight stowed in carrier	8.5ton counterweight stowed in carrier or without counterweight
	8.4m	A1	B1	C1	D1	E1
	7.4m	A2	B2	C2	D2	E2
	6.4m	A3	B3	C3	D3	E3
	5.4m	A4	B4	C4	D4	E4
	4.4m	A5	B5	C5	D5	E5
3.4m		B6	C6	D6	E6	

### Operation of boom without SL jib

	Outrigger	Counterweight mounting state				
	extension width	24ton counterweight mounted to crane	16ton counterweight mounted to crane	8.5ton counterweight mounted to crane	24ton or 16ton counterweight stowed in carrier	8.5ton counterweight stowed in carrier or without counterweight
	8.4m	NA1	NB1	NC1	ND1	NE1
	7.4m	NA2	NB2	NC2	ND2	NE2
	6.4m	NA3	NB3	NC3	ND3	NE3
	5.4m	NA4	NB4	NC4	ND4	NE4
	4.4m	NA5	NB5	NC5	ND5	NE5
3.4m		NB6	NC6	ND6	NE6	

### Operation of SL jib

	Outrigger	Counterweight mounting state				
	extension width	24ton counterweight mounted to crane	16ton counterweight mounted to crane	8.5ton counterweight mounted to crane	24ton or 16ton counterweight stowed in carrier	8.5ton counterweight stowed in carrier or without counterweight
	8.4m	SA1	SB1	SC1	SD1	SE1
	7.4m	SA2	SB2	SC2	SD2	SE2
	6.4m	SA3	SB3	SC3	SD3	
	5.4m	SA4	SB4	SC4	SD4	
4.4m	SA5	SB5	SC5			

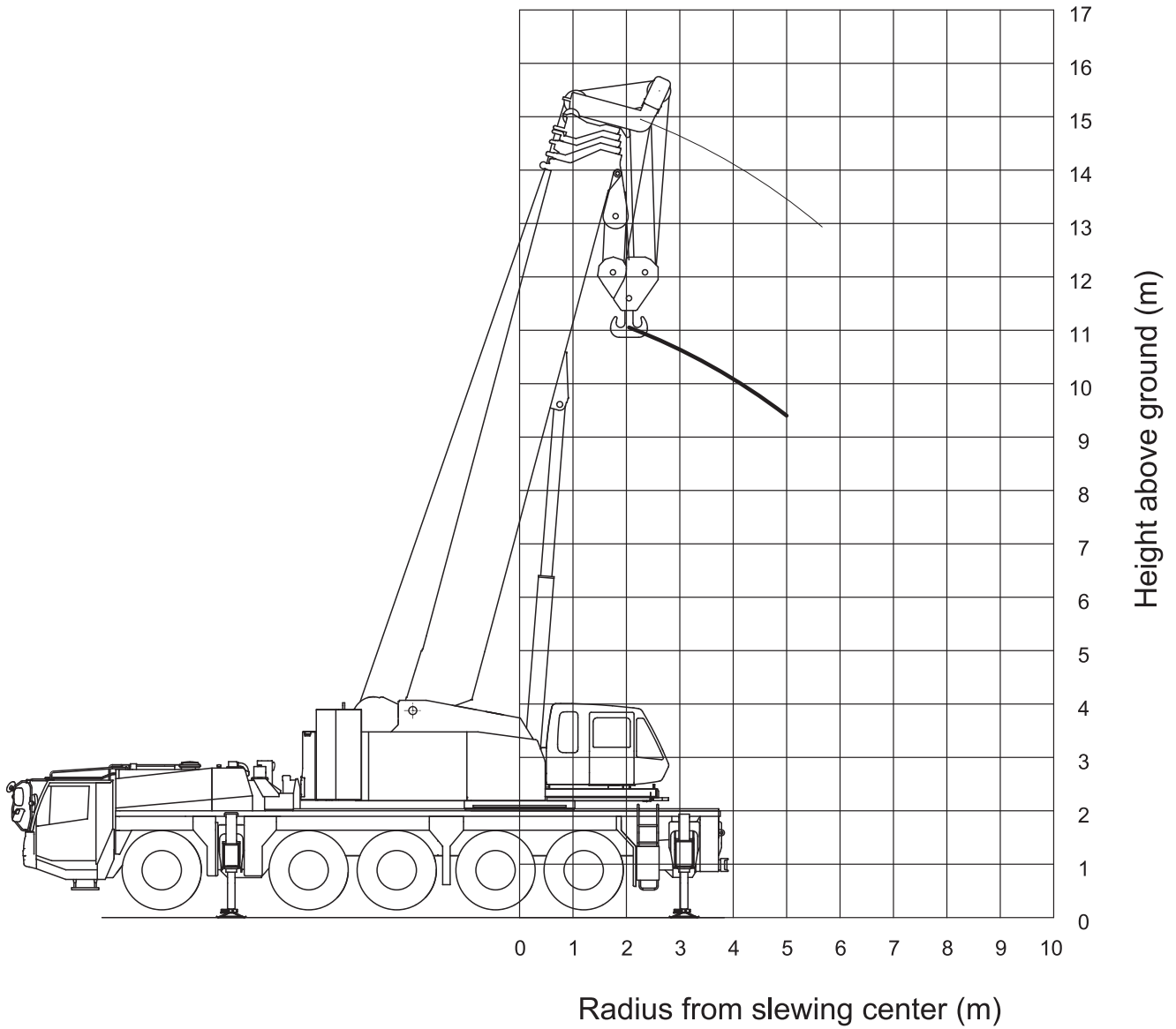


- 
3. The working radii are the actual values allowing for boom and SL jib deflection. Therefore you must always operate the crane on the basis of working radius.
  4. The SL jib working radius is the value for crane operation by mounting the SL jib to the 44.0, 48.0 or 52.0 m boom. For jib operation with any other boom length, use the boom angle as standard instead of working radius.
  5. If the boom length, boom angle, working radius, SL jib length or SL jib angle exceeds the specified value, conduct the operation according to the smaller value of lifting capacity for the relevant specified value and that for the next specified value.
  6. The critical boom angle in each operation is shown in the lifting capacity chart.  
Since a smaller angle than the critical boom angle may cause to tip over even with no load, take care sufficiently.
  7. When operating the boom with the SL jib mounted, subtract mass of all attached hook, slings, etc. and 7.6 ton from the lifting capacity for boom. In this condition, maximum lifting load shall be 50t.  
Fix offset angle at 15° or less. Do not use the rooster sheave.
  8. When operating the rooster sheave, subtract mass of all attached hook, slings etc. from the lifting capacity for boom. In this condition, maximum lifting load shall be 7.8 ton.  
[The hook for use with the rooster sheave is the 7.8 ton hook (mass: 250 kg) with one part of line.]
  9. Use the heavy load unit (130 ton hook with sheave bracket) when operating the crane loading with more than 70 ton.
  10. In whatever working conditions the corresponding boom critical angle is shown in the chart. The crane can tip over if the boom is lowered below the critical angle even if unloaded. Therefore, never lower the boom below these angles.
  11. The standard number of parts of line for each boom length are indicated in the lifting capacity chart. If you work with a non-standard number of parts of line, take 76.4 kN (7.8 tf) as the maximum load on any part of the wire rope.
  12. High-speed winch operation should only be performed to allow descent of the hook alone. Avoid sudden lever operation.
  13. Crane operation is permissible up to a wind speed of 10 m/s. Even in relatively light wind conditions, extra care should be taken when handling loads presenting large wind catching areas.
  14. The machine will tip over or be damaged if operated with a load exceeding that specified in the lifting capacity chart or not handled correctly. If such trouble occurs, the machine will not be guaranteed.





# Working ranges for crane with heavy load unit

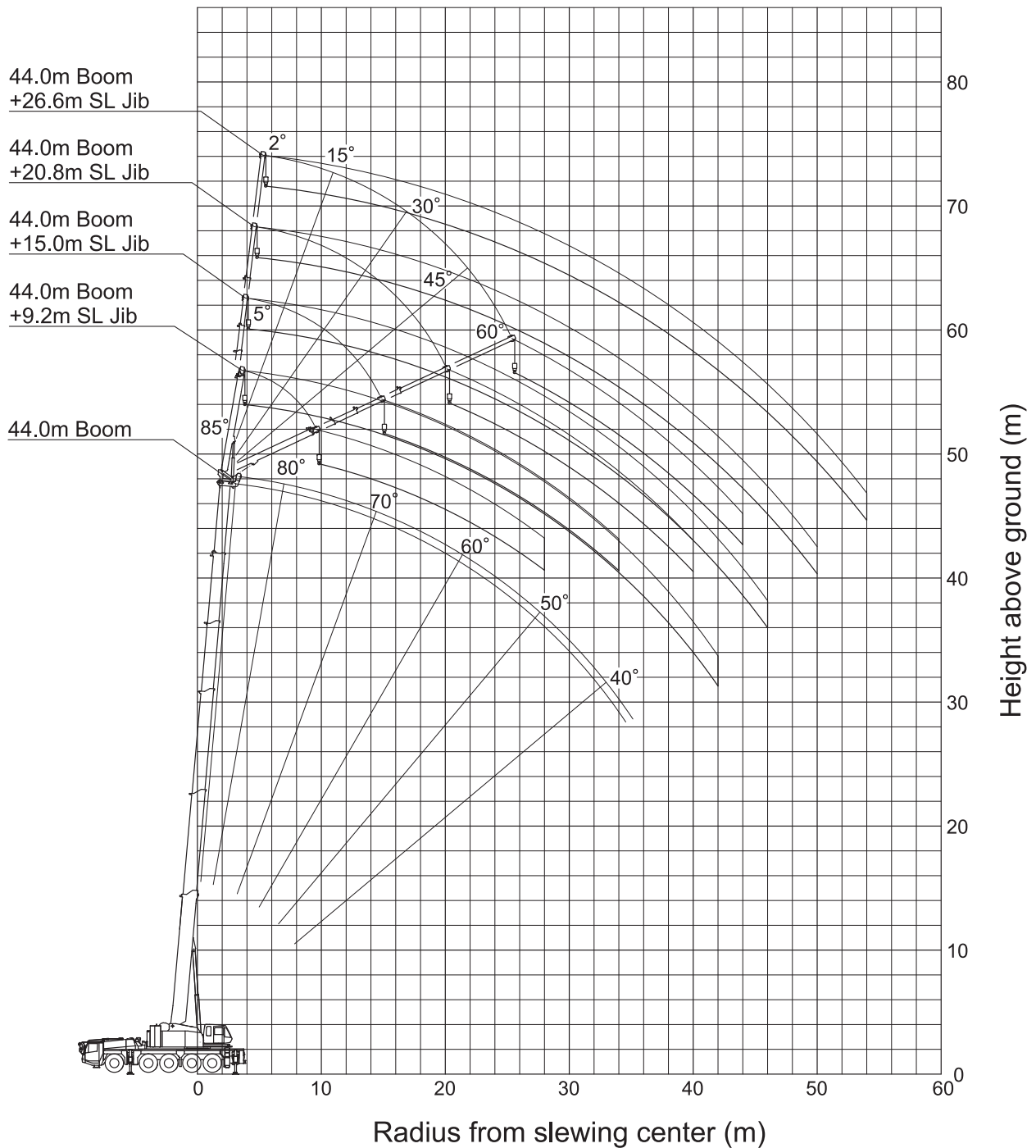


Note: This diagram does not include deflection of Boom.





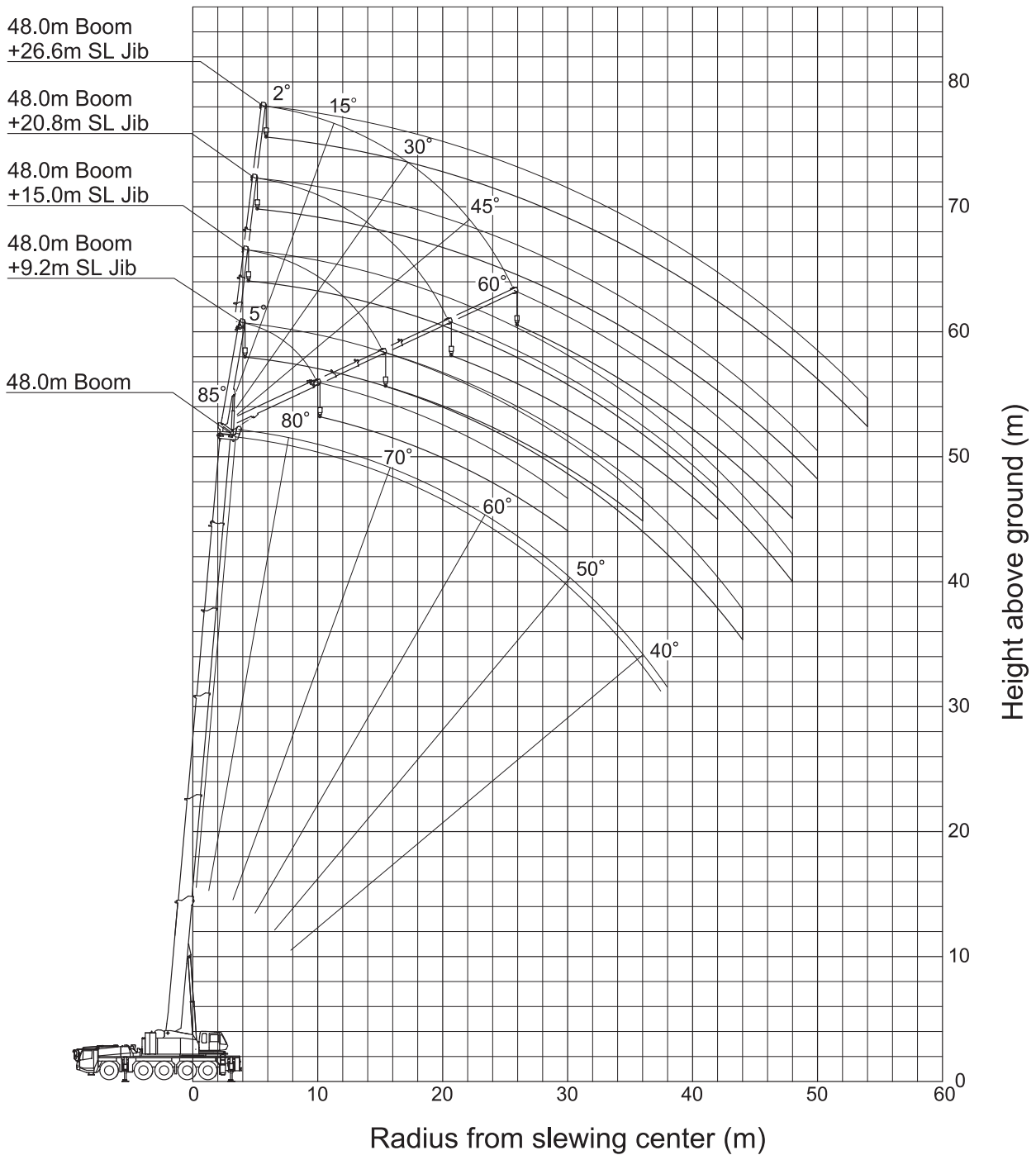
# Super luffing jib (SL Jib) WORKING RANGES (44.0m Boom+9.2 ~ 26.6m SL Jib)



### Notes:

1. This diagram does not include deflection of Boom and SL Jib.
2. The diagram is for Specification A1.



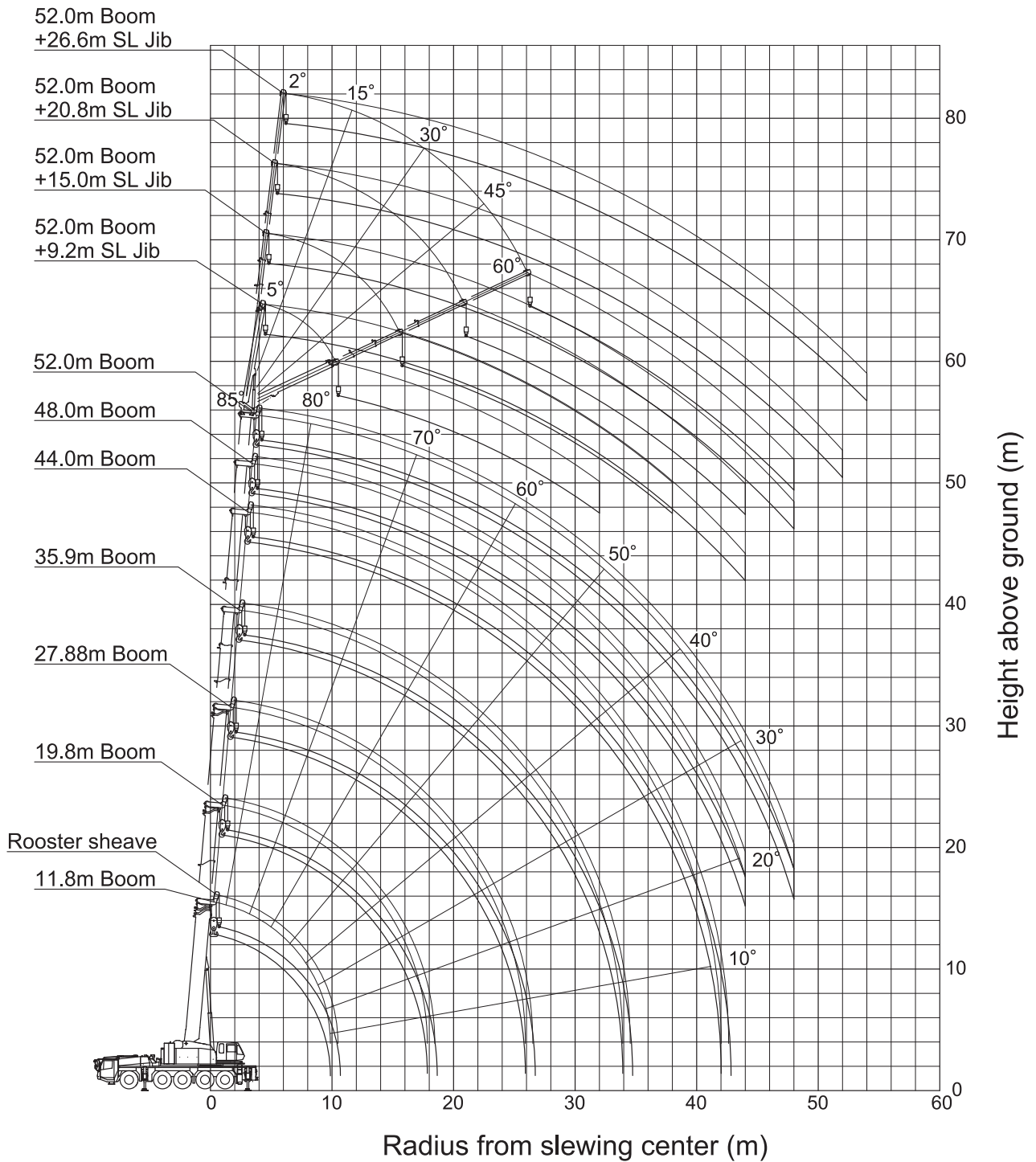


Notes:

1. This diagram does not include deflection of Boom and SL Jib.
2. The diagram is for Specification A1.



# Super luffing jib (SL Jib) WORKING RANGES (52.0m Boom+9.2 ~ 26.6m SL Jib)



## Notes:

1. This diagram does not include deflection of Boom and SL Jib.
2. The diagram is for Specification A1.



Outriggers fully extended (8.4m) 360° full range	
Specification BB1	
24ton or 16ton counterweight mounted to crane	
Working radius (m)	11.8m Boom Heavy Load Unit
2.5	130.0
3.0	120.0
3.5	110.0
4.0	101.0
4.5	89.0
5.0	79.5
Critical boom angle (°)	—
Standard hook	for 130 ton
Hook mass	1300kg
Parts of line	19

(Unit: Metric ton)



# Boom (Operation of boom with SL jib stowed into leftside of boom)

Specification A1		Outriggers fully extended (8.4m) 360° full range, with 24ton counterweight mounted to crane					
Working radius (m)	11.8m Boom	19.8m Boom	27.88m Boom	35.9m Boom	44.0m Boom	48.0m Boom	52.0m Boom
2.5	70.0						
3.0	70.0	50.0					
3.5	70.0	50.0					
4.0	70.0	50.0	35.0				
4.5	70.0	50.0	35.0				
5.0	70.0	50.0	35.0	24.0			
6.0	65.7	50.0	35.0	24.0			
7.0	57.4	50.0	35.0	24.0	17.0	14.0	
8.0	49.0	49.0	35.0	24.0	17.0	14.0	12.0
9.0	42.5	42.5	35.0	24.0	17.0	14.0	12.0
10.0		37.2	33.7	24.0	17.0	14.0	12.0
12.0		29.4	27.8	23.2	17.0	14.0	12.0
14.0		23.7	23.4	20.7	15.8	14.0	12.0
16.0		19.3	19.4	18.4	14.0	14.0	12.0
18.0			15.6	16.3	12.6	13.1	12.0
20.0			12.7	14.2	11.5	11.7	11.0
22.0			10.2	12.0	10.5	10.4	9.8
24.0			8.3	10.0	9.6	9.3	8.8
26.0				8.4	8.9	8.4	7.9
28.0				7.0	8.1	7.6	7.1
30.0				5.8	6.9	6.9	6.5
32.0				4.8	5.9	6.3	5.9
34.0					5.0	5.4	5.3
36.0					4.2	4.6	4.9
38.0					3.5	3.9	4.2
40.0					2.9	3.3	3.6
42.0					1.4	2.8	3.1
44.0						2.3	2.6
46.0							2.1
48.0							1.7
Critical boom angle (°)	—	—	—	—	—	11	16
Standard hook	for 70 ton				for 50 ton		
Hook mass	900kg				600kg		
Parts of line	10	7	5			4	

(Unit: Metric ton)

Specification B1		Outriggers fully extended (8.4m) 360° full range, with 16ton counterweight mounted to crane					
Working radius (m)	11.8m Boom	19.8m Boom	27.88m Boom	35.9m Boom	44.0m Boom	48.0m Boom	52.0m Boom
2.5	70.0						
3.0	70.0	50.0					
3.5	70.0	50.0					
4.0	70.0	50.0	35.0				
4.5	70.0	50.0	35.0				
5.0	70.0	50.0	35.0	24.0			
6.0	64.5	50.0	35.0	24.0			
7.0	54.0	50.0	35.0	24.0	17.0	14.0	
8.0	46.0	46.0	35.0	24.0	17.0	14.0	12.0
9.0	40.0	40.0	35.0	24.0	17.0	14.0	12.0
10.0		35.5	33.7	24.0	17.0	14.0	12.0
12.0		27.6	27.6	23.2	17.0	14.0	12.0
14.0		21.0	20.9	20.7	15.8	14.0	12.0
16.0		16.4	16.3	18.0	14.0	14.0	12.0
18.0			13.0	14.6	12.6	13.1	12.0
20.0			10.3	12.0	11.5	11.7	11.0
22.0			8.1	9.9	10.5	10.4	9.8
24.0			6.4	8.1	9.2	9.3	8.8
26.0				6.7	7.7	8.1	7.9
28.0				5.4	6.5	6.8	7.1
30.0				4.4	5.4	5.8	6.1
32.0				3.5	4.5	4.9	5.2
34.0					3.7	4.1	4.4
36.0					3.1	3.4	3.7
38.0					2.5	2.8	3.1
40.0					1.9	2.3	2.5
42.0					1.4	1.8	2.1
44.0						1.3	1.6
46.0							1.1
Critical boom angle (°)	—	—	—	—	—	16	22
Standard hook	for 70 ton				for 50 ton		
Hook mass	900kg				600kg		
Parts of line	10	7	5			4	

(Unit: Metric ton)





# Boom (Operation of boom with SL jib stowed into leftside of boom)

Specification C1		Outriggers fully extended (8.4m) 360° full range, with 8.5ton counterweight mounted to crane					
Working radius (m)	11.8m Boom	19.8m Boom	27.88m Boom	35.9m Boom	44.0m Boom	48.0m Boom	52.0m Boom
2.5	70.0						
3.0	70.0	50.0					
3.5	70.0	50.0					
4.0	70.0	50.0	35.0				
4.5	70.0	50.0	35.0				
5.0	70.0	50.0	35.0	24.0			
6.0	61.7	50.0	35.0	24.0			
7.0	51.6	50.0	35.0	24.0	17.0	14.0	
8.0	43.9	43.9	35.0	24.0	17.0	14.0	12.0
9.0	37.9	38.0	35.0	24.0	17.0	14.0	12.0
10.0		33.0	33.0	24.0	17.0	14.0	12.0
12.0		23.6	23.5	23.2	17.0	14.0	12.0
14.0		17.6	17.6	19.2	15.8	14.0	12.0
16.0		13.5	13.5	15.1	14.0	14.0	12.0
18.0			10.3	12.0	12.6	13.1	12.0
20.0			7.9	9.6	10.6	11.0	11.0
22.0			6.0	7.7	8.7	9.1	9.6
24.0			4.4	6.1	7.1	7.5	8.0
26.0				4.7	5.7	6.1	6.7
28.0				3.5	4.6	5.0	5.4
30.0				2.6	3.6	4.0	4.4
32.0				1.7	2.8	3.1	3.6
34.0					2.0	2.4	2.8
36.0					1.4	1.8	2.2
38.0						1.2	1.6
40.0							1.1
Critical boom angle (°)	—	—	—	—	32	35	38
Standard hook	for 70 ton			for 50 ton			
Hook mass	900kg			600kg			
Parts of line	10	7	5	4			

(Unit: Metric ton)

Specification D1		Outriggers fully extended (8.4m) 360° full range, with 24ton or 16ton counterweight stowed in carrier					
Working radius (m)	11.8m Boom	19.8m Boom	27.88m Boom	35.9m Boom	44.0m Boom	48.0m Boom	52.0m Boom
2.5	70.0						
3.0	70.0	50.0					
3.5	70.0	50.0					
4.0	70.0	50.0	35.0				
4.5	70.0	50.0	35.0				
5.0	70.0	50.0	35.0	24.0			
6.0	60.2	50.0	35.0	24.0			
7.0	50.2	46.5	35.0	24.0	17.0	14.0	
8.0	42.8	39.5	35.0	24.0	17.0	14.0	12.0
9.0	37.0	34.1	33.9	24.0	17.0	14.0	12.0
10.0		29.7	29.5	24.0	17.0	14.0	12.0
12.0		22.3	22.2	23.2	17.0	14.0	12.0
14.0		15.5	15.4	17.5	15.8	14.0	12.0
16.0		11.1	11.1	13.0	14.0	14.0	12.0
18.0			8.1	9.9	11.0	11.3	11.6
20.0			5.7	7.6	8.6	9.0	9.3
22.0			3.8	5.8	6.9	7.2	7.5
24.0			2.4	4.3	5.4	5.8	6.1
26.0				3.0	4.1	4.5	4.8
28.0				2.0	3.1	3.5	3.8
30.0				1.2	2.3	2.6	2.9
32.0					1.5	1.9	2.2
34.0						1.3	1.6
Critical boom angle (°)	—	—	—	28	39	43	47
Standard hook	for 70 ton			for 50 ton			
Hook mass	900kg			600kg			
Parts of line	10	7	5	4			

(Unit: Metric ton)



# Boom (Operation of boom with SL jib stowed into leftside of boom)

Specification E1 Outriggers fully extended (8.4m) 360° full range, with 8.5ton counterweight stowed in carrier or without counterweight							
Working radius (m)	11.8m Boom	19.8m Boom	27.88m Boom	35.9m Boom	44.0m Boom	48.0m Boom	52.0m Boom
2.5	70.0						
3.0	70.0	50.0					
3.5	70.0	50.0					
4.0	70.0	50.0	35.0				
4.5	70.0	50.0	35.0				
5.0	70.0	50.0	35.0	24.0			
6.0	60.2	50.0	35.0	24.0			
7.0	50.2	46.5	35.0	24.0	17.0	14.0	
8.0	40.0	39.5	35.0	24.0	17.0	14.0	12.0
9.0	31.8	31.6	31.6	24.0	17.0	14.0	12.0
10.0		25.8	25.8	24.0	17.0	14.0	12.0
12.0		18.1	18.1	19.9	17.0	14.0	12.0
14.0		13.3	13.2	14.9	15.8	14.0	12.0
16.0		9.6	9.5	11.4	12.5	12.8	12.0
18.0			6.7	8.5	9.6	10.0	10.3
20.0			4.7	6.4	7.5	7.8	8.1
22.0			2.9	4.8	5.8	6.2	6.5
24.0			1.3	3.5	4.5	4.9	5.2
26.0				2.2	3.5	3.8	4.1
28.0				1.2	2.5	2.9	3.2
30.0					1.5	2.0	2.3
32.0							1.6
Critical boom angle (°)	—	—	—	35	45	49	52
Standard hook	for 70 ton	for 50 ton					
Hook mass	900kg	600kg					
Parts of line	10	7	5	4			

(Unit: Metric ton)





# Boom (Operation of boom without SL jib)

Specification NA1		Outriggers fully extended (8.4m) 360° full range, with 24ton counterweight mounted to crane					
Working radius (m)	11.8m Boom	19.8m Boom	27.88m Boom	35.9m Boom	44.0m Boom	48.0m Boom	52.0m Boom
2.5	70.0						
3.0	70.0	50.0					
3.5	70.0	50.0					
4.0	70.0	50.0	35.0				
4.5	70.0	50.0	35.0				
5.0	70.0	50.0	35.0	24.0			
6.0	67.3	50.0	35.0	24.0			
7.0	58.9	50.0	35.0	24.0	17.0	14.0	
8.0	50.6	49.7	35.0	24.0	17.0	14.0	12.0
9.0	44.1	43.2	35.0	24.0	17.0	14.0	12.0
10.0		38.0	33.7	24.0	17.0	14.0	12.0
12.0		30.2	27.8	23.2	17.0	14.0	12.0
14.0		24.6	23.4	20.7	15.8	14.0	12.0
16.0		19.6	19.4	18.4	14.0	14.0	12.0
18.0			15.7	16.3	12.6	13.1	12.0
20.0			12.9	14.2	11.5	11.7	11.0
22.0			10.5	12.0	10.5	10.4	9.8
24.0			8.6	10.1	9.6	9.3	8.8
26.0				8.5	8.9	8.4	7.9
28.0				7.2	8.1	7.6	7.1
30.0				6.1	7.0	6.9	6.5
32.0				5.1	6.0	6.3	5.9
34.0					5.1	5.5	5.3
36.0					4.4	4.7	4.9
38.0					3.7	4.1	4.3
40.0					3.1	3.5	3.7
42.0					1.4	2.9	3.2
44.0						2.5	2.7
46.0							2.3
48.0							1.9
Critical boom angle (°)	—	—	—	—	—	11	16
Standard hook	for 70 ton				for 50 ton		
Hook mass	900kg				600kg		
Parts of line	10	7	5			4	

(Unit: Metric ton)

Specification NB1		Outriggers fully extended (8.4m) 360° full range, with 16ton counterweight mounted to crane					
Working radius (m)	11.8m Boom	19.8m Boom	27.88m Boom	35.9m Boom	44.0m Boom	48.0m Boom	52.0m Boom
2.5	70.0						
3.0	70.0	50.0					
3.5	70.0	50.0					
4.0	70.0	50.0	35.0				
4.5	70.0	50.0	35.0				
5.0	70.0	50.0	35.0	24.0			
6.0	66.6	50.0	35.0	24.0			
7.0	56.1	50.0	35.0	24.0	17.0	14.0	
8.0	48.1	47.2	35.0	24.0	17.0	14.0	12.0
9.0	41.9	41.0	35.0	24.0	17.0	14.0	12.0
10.0		36.0	33.7	24.0	17.0	14.0	12.0
12.0		27.9	27.4	23.2	17.0	14.0	12.0
14.0		21.3	20.9	20.7	15.8	14.0	12.0
16.0		16.8	16.4	17.9	14.0	14.0	12.0
18.0			13.1	14.6	12.6	13.1	12.0
20.0			10.4	12.0	11.5	11.7	11.0
22.0			8.3	9.9	10.5	10.4	9.8
24.0			6.7	8.2	9.2	9.3	8.8
26.0				6.8	7.7	8.1	7.9
28.0				5.6	6.5	6.8	7.1
30.0				4.6	5.5	5.8	6.1
32.0				3.7	4.6	4.9	5.2
34.0					3.9	4.2	4.4
36.0					3.2	3.5	3.7
38.0					2.5	2.9	3.1
40.0					2.0	2.3	2.6
42.0					1.4	1.8	2.1
44.0						1.3	1.6
46.0							1.2
Critical boom angle (°)	—	—	—	—	—	16	22
Standard hook	for 70 ton				for 50 ton		
Hook mass	900kg				600kg		
Parts of line	10	7	5			4	

(Unit: Metric ton)



# Boom (Operation of boom without SL jib)

Specification NC1		Outriggers fully extended (8.4m) 360° full range, with 8.5ton counterweight mounted to crane					
Working radius (m)	11.8m Boom	19.8m Boom	27.88m Boom	35.9m Boom	44.0m Boom	48.0m Boom	52.0m Boom
2.5	70.0						
3.0	70.0	50.0					
3.5	70.0	50.0					
4.0	70.0	50.0	35.0				
4.5	70.0	50.0	35.0				
5.0	70.0	50.0	35.0	24.0			
6.0	63.2	50.0	35.0	24.0			
7.0	53.1	50.0	35.0	24.0	17.0	14.0	
8.0	45.5	44.6	35.0	24.0	17.0	14.0	12.0
9.0	39.6	38.7	35.0	24.0	17.0	14.0	12.0
10.0		32.8	32.3	24.0	17.0	14.0	12.0
12.0		23.6	23.2	23.2	17.0	14.0	12.0
14.0		17.8	17.4	18.9	15.8	14.0	12.0
16.0		13.9	13.4	14.9	14.0	14.0	12.0
18.0			10.4	11.9	12.6	13.0	12.0
20.0			8.1	9.6	10.5	10.8	11.0
22.0			6.2	7.6	8.6	8.9	9.4
24.0			4.7	5.9	6.9	7.2	7.7
26.0				4.6	5.5	5.9	6.4
28.0				3.5	4.4	4.8	5.2
30.0				2.6	3.5	3.8	4.2
32.0				1.8	2.7	3.0	3.4
34.0					2.0	2.4	2.7
36.0					1.5	1.8	2.1
38.0						1.3	1.6
40.0							1.1
Critical boom angle (°)	—	—	—	—	32	35	38
Standard hook	for 70 ton			for 50 ton			
Hook mass	900kg			600kg			
Parts of line	10	7	5	4			

(Unit: Metric ton)

Specification ND1		Outriggers fully extended (8.4m) 360° full range, with 24ton or 16ton counterweight stowed in carrier					
Working radius (m)	11.8m Boom	19.8m Boom	27.88m Boom	35.9m Boom	44.0m Boom	48.0m Boom	52.0m Boom
2.5	70.0						
3.0	70.0	50.0					
3.5	70.0	50.0					
4.0	70.0	50.0	35.0				
4.5	70.0	50.0	35.0				
5.0	70.0	50.0	35.0	24.0			
6.0	60.2	50.0	35.0	24.0			
7.0	50.2	49.1	35.0	24.0	17.0	14.0	
8.0	42.8	41.9	35.0	24.0	17.0	14.0	12.0
9.0	37.0	36.3	35.0	24.0	17.0	14.0	12.0
10.0		31.8	31.4	24.0	17.0	14.0	12.0
12.0		21.9	21.4	23.2	17.0	14.0	12.0
14.0		15.3	14.9	16.8	15.8	14.0	12.0
16.0		11.1	10.7	12.5	13.5	13.9	12.0
18.0			7.8	9.5	10.5	10.8	11.1
20.0			5.7	7.3	8.2	8.6	8.8
22.0			4.1	5.5	6.5	6.9	7.1
24.0			2.6	4.1	5.1	5.4	5.7
26.0				2.9	3.9	4.3	4.5
28.0				2.0	2.9	3.3	3.6
30.0				1.2	2.1	2.5	2.7
32.0					1.4	1.8	2.0
34.0						1.2	1.4
Critical boom angle (°)	—	—	—	29	42	44	48
Standard hook	for 70 ton			for 50 ton			
Hook mass	900kg			600kg			
Parts of line	10	7	5	4			

(Unit: Metric ton)





## Boom (Operation of boom without SL jib)

Specification NE1	Outriggers fully extended (8.4m) 360° full range, with 8.5ton counterweight stowed in carrier or without counterweight						
Working radius (m)	11.8m Boom	19.8m Boom	27.88m Boom	35.9m Boom	44.0m Boom	48.0m Boom	52.0m Boom
2.5	70.0						
3.0	70.0	50.0					
3.5	70.0	50.0					
4.0	70.0	50.0	35.0				
4.5	70.0	50.0	35.0				
5.0	70.0	50.0	35.0	24.0			
6.0	60.2	50.0	35.0	24.0			
7.0	50.2	49.1	35.0	24.0	17.0	14.0	
8.0	41.1	39.9	35.0	24.0	17.0	14.0	12.0
9.0	32.9	31.7	31.4	24.0	17.0	14.0	12.0
10.0		26.0	25.6	24.0	17.0	14.0	12.0
12.0		18.4	18.0	19.8	17.0	14.0	12.0
14.0		13.4	12.9	14.9	15.8	14.0	12.0
16.0		9.6	9.1	10.9	11.9	12.3	12.0
18.0			6.5	8.2	9.1	9.5	9.8
20.0			4.6	6.1	7.1	7.4	7.7
22.0			2.9	4.4	5.5	5.8	6.1
24.0			1.4	3.1	4.1	4.5	4.8
26.0				2.0	3.0	3.4	3.7
28.0				1.2	2.1	2.5	2.7
30.0					1.4	1.7	2.0
Critical boom angle (°)	—	—	—	36	46	50	54
Standard hook	for 70 ton	for 50 ton					
Hook mass	900kg	600kg					
Parts of line	10	7	5	4			

(Unit: Metric ton)



# Super luffing jib (Operation of SL jib)

44m Boom + 9.2m SL Jib										
Specification SA1	Outriggers fully extended (8.4m) 360° full range, with 24ton counterweight mounted to crane									
Offset	5°		15°		30°		45°		60°	
Working radius (m)	Boom angle (°)	Load (ton)	Boom angle (°)	Load (ton)	Boom angle (°)	Load (ton)	Boom angle (°)	Load (ton)	Boom angle (°)	Load (ton)
7.0	82.3	7.00								
8.0	81.3	7.00	82.9	7.00						
9.0	80.4	7.00	81.9	7.00						
10.0	79.4	7.00	80.8	7.00	82.8	5.90				
12.0	77.4	7.00	78.9	7.00	80.7	5.90	82.2	4.80		
14.0	75.4	7.00	76.9	7.00	78.6	5.90	80.0	4.80	80.9	3.90
16.0	73.4	7.00	74.9	7.00	76.5	5.60	77.8	4.80	78.6	3.90
18.0	71.3	7.00	72.8	6.60	74.3	5.35	75.5	4.65	76.2	3.85
20.0	69.2	6.75	70.5	6.05	72.1	5.10	73.2	4.50	73.9	3.80
22.0	66.9	5.90	68.1	5.40	69.7	4.85	70.9	4.40	71.3	3.75
24.0	64.5	5.25	65.7	4.80	67.3	4.40	68.4	4.10	68.9	3.75
26.0	62.0	4.65	63.2	4.35	64.8	3.95	65.8	3.75	66.2	3.65
28.0	59.5	4.15	60.7	3.90	62.2	3.60	63.1	3.45	63.5	3.40
30.0	56.9	3.75	58.1	3.50	59.5	3.30	60.4	3.15		
32.0	54.2	3.35	55.3	3.20	56.8	3.00	57.5	2.90		
34.0	51.4	3.05	52.6	2.90	53.9	2.75	54.5	2.70		
36.0	48.2	2.75	49.6	2.65	50.8	2.50	51.3	2.45		
38.0	45.2	2.40	46.4	2.40	47.6	2.30	47.7	2.30		
40.0	41.7	1.80	42.9	1.95	43.8	2.10				
42.0	38.1	1.20	39.1	1.35	39.9	1.50				
44.0			35.1	0.75	35.7	0.85				
Critical boom angle (°)	34		34		34		47		62	
Standard hook	for 7.8 ton									
Hook mass	250kg									
Parts of line	1									

44m Boom + 15.0m SL Jib										
Specification SA1	Outriggers fully extended (8.4m) 360° full range, with 24ton counterweight mounted to crane									
Offset	2°		15°		30°		45°		60°	
Working radius (m)	Boom angle (°)	Load (ton)	Boom angle (°)	Load (ton)	Boom angle (°)	Load (ton)	Boom angle (°)	Load (ton)	Boom angle (°)	Load (ton)
8.0	82.4	4.00								
9.0	81.5	4.00								
10.0	80.6	4.00								
12.0	78.8	4.00	81.9	4.00						
14.0	77.0	4.00	80.1	4.00	83.0	3.15				
16.0	75.3	4.00	78.3	4.00	81.1	3.15	83.4	2.55		
18.0	73.4	4.00	76.4	4.00	79.2	3.15	81.4	2.55	83.1	2.00
20.0	71.6	4.00	74.4	3.85	77.1	3.00	79.3	2.55	80.8	2.00
22.0	69.7	4.00	72.5	3.60	75.1	2.85	77.2	2.45	78.5	2.00
24.0	67.7	4.00	70.4	3.40	72.9	2.75	75.0	2.35	76.2	1.95
26.0	65.7	4.00	68.3	3.20	70.8	2.60	72.7	2.30	73.8	1.95
28.0	63.6	3.60	66.2	3.05	68.6	2.50	70.5	2.25	71.4	1.90
30.0	61.3	3.20	64.0	2.85	66.3	2.40	68.1	2.15	68.8	1.90
32.0	59.0	2.90	61.6	2.60	64.0	2.35	65.6	2.10	66.2	1.90
34.0	56.7	2.60	59.3	2.40	61.6	2.20	63.1	2.10	63.5	1.90
36.0	54.2	2.35	56.8	2.15	59.0	2.00	60.4	1.95		
38.0	51.6	2.10	54.2	1.95	56.4	1.85	57.6	1.80		
40.0	48.9	1.90	51.6	1.80	53.6	1.70	54.5	1.65		
42.0	46.1	1.75	48.6	1.65	50.6	1.55	51.3	1.55		
44.0	43.0	1.55	45.6	1.50	47.4	1.45	47.8	1.40		
46.0	39.3	1.10	42.2	1.35	43.7	1.30				
48.0			38.7	0.90	39.9	1.10				
Critical boom angle (°)	38		38		38		47		62	
Standard hook	for 7.8 ton									
Hook mass	250kg									
Parts of line	1									

44m Boom + 20.8m SL Jib										
Specification SA1	Outriggers fully extended (8.4m) 360° full range, with 24ton counterweight mounted to crane									
Offset	2°		15°		30°		45°		60°	
Working radius (m)	Boom angle (°)	Load (ton)	Boom angle (°)	Load (ton)	Boom angle (°)	Load (ton)	Boom angle (°)	Load (ton)	Boom angle (°)	Load (ton)
9.0	82.6	3.75								
10.0	81.8	3.75								
12.0	80.3	3.75								
14.0	78.7	3.75	82.4	2.90						
16.0	77.1	3.75	80.8	2.90						
18.0	75.5	3.75	79.1	2.90	82.7	1.95				
20.0	73.9	3.75	77.3	2.75	81.0	1.95				
22.0	72.1	3.45	75.5	2.55	79.2	1.95	82.2	1.50		
24.0	70.3	3.20	73.7	2.40	77.3	1.85	80.3	1.50	82.4	1.20
26.0	68.5	2.95	71.8	2.25	75.3	1.75	78.2	1.50	80.1	1.20
28.0	66.6	2.75	69.9	2.10	73.4	1.70	76.2	1.45	77.9	1.20
30.0	64.7	2.55	68.0	2.00	71.4	1.60	74.1	1.40	75.7	1.15
32.0	62.7	2.40	66.0	1.90	69.3	1.55	71.8	1.35	73.2	1.15
34.0	60.7	2.20	64.0	1.80	67.3	1.50	69.6	1.30	70.8	1.15
36.0	58.7	2.10	61.9	1.70	65.0	1.40	67.4	1.30	68.2	1.15
38.0	56.5	1.90	59.7	1.60	62.8	1.35	64.9	1.25	65.5	1.10
40.0	54.2	1.70	57.5	1.55	60.5	1.30	62.3	1.20	62.8	1.10
42.0	51.8	1.55	55.2	1.45	58.1	1.30	59.8	1.20		
44.0	49.5	1.40	52.7	1.30	55.5	1.25	57.0	1.20		
46.0	46.9	1.25	50.1	1.20	52.8	1.10	54.0	1.10		
48.0	44.2	1.15	47.3	1.10	49.9	1.05	50.7	1.00		
50.0	41.3	1.05	44.2	1.00	46.6	0.95				
52.0			40.9	0.90	43.1	0.85				
54.0					39.2	0.75				
Critical boom angle (°)	38		38		38		47		62	
Standard hook	for 7.8 ton									
Hook mass	250kg									
Parts of line	1									

44m Boom + 26.6m SL Jib										
Specification SA1	Outriggers fully extended (8.4m) 360° full range, with 24ton counterweight mounted to crane									
Offset	2°		15°		30°		45°		60°	
Working radius (m)	Boom angle (°)	Load (ton)	Boom angle (°)	Load (ton)	Boom angle (°)	Load (ton)	Boom angle (°)	Load (ton)	Boom angle (°)	Load (ton)
10.0	82.6	2.20								
12.0	81.3	2.20								
14.0	79.8	2.20								
16.0	78.5	2.20	83.2	1.90						
18.0	77.0	2.20	81.7	1.90						
20.0	75.6	2.20	80.1	1.90						
22.0	74.1	2.20	78.6	1.80	83.0	1.20				
24.0	72.6	2.20	77.0	1.70	81.3	1.20				
26.0	71.2	2.20	75.3	1.60	79.7	1.20	83.3	0.90		
28.0	69.5	2.05	73.6	1.50	77.9	1.15	81.5	0.90		
30.0	67.8	1.90	71.8	1.40	76.0	1.10	79.6	0.90	82.1	0.75
32.0	66.0	1.75	70.1	1.35	74.2	1.05	77.6	0.85	80.0	0.75
34.0	64.3	1.65	68.2	1.25	72.4	1.00	75.6	0.85	77.7	0.75
36.0	62.5	1.55	66.4	1.20	70.4	0.95	73.5	0.80	75.4	0.70
38.0	60.5	1.45	64.5	1.15	68.6	0.95	71.4	0.80	73.0	0.70
40.0	58.7	1.35	62.6	1.10	66.5	0.90	69.2	0.80	70.6	0.70
42.0	56.7	1.25	60.6	1.00	64.3	0.85	66.9	0.75	67.9	0.70
44.0	54.7	1.20	58.5	0.95	62.2	0.80	64.6	0.75	65.2	0.70
46.0	52.5	1.10	56.4	0.90	59.9	0.80	62.1	0.75		
48.0	50.4	1.05	54.3	0.90	57.5	0.75	59.4	0.70		
50.0	48.0	0.95	51.9	0.85	55.1	0.75	56.7	0.70		
52.0	45.1	0.85	49.5	0.80	52.5	0.70	53.6	0.70		
54.0	42.5	0.75	46.6	0.70	49.6	0.70	50.2	0.70		
Critical boom angle (°)	41		45		48		49		62	
Standard hook	for 7.8 ton									
Hook mass	250kg									
Parts of line	1									

48m Boom + 9.2m SL Jib										
Specification SA1	Outriggers fully extended (8.4m) 360° full range, with 24ton counterweight mounted to crane									
Offset	5°		15°		30°		45°		60°	
Working radius (m)	Boom angle (°)	Load (ton)	Boom angle (°)	Load (ton)	Boom angle (°)	Load (ton)	Boom angle (°)	Load (ton)	Boom angle (°)	Load (ton)
7.0	82.9	6.00								
8.0	81.9	6.00								
9.0	81.1	6.00	82.5	6.00						
10.0	80.2	6.00	81.6	6.00						
12.0	78.4	6.00	79.8	6.00	81.7	5.90	82.9	4.80		
14.0	76.7	6.00	78.0	6.00	79.8	5.90	81.0	4.80	81.8	3.85
16.0	74.9	6.00	76.2	6.00	77.9	5.75	79.1	4.80	79.7	3.85
18.0	72.9	6.00	74.3	6.00	76.0	5.50	77.1	4.75	77.6	3.85
20.0	71.1	6.00	72.4	6.00	73.9	5.25	75.0	4.60	75.5	3.80
22.0	69.2	6.00	70.5	6.00	71.8	5.05	72.8	4.45	73.3	3.80
24.0	67.3	6.00	68.5	5.80	69.8	4.85	70.7	4.35	71.1	3.75
26.0	65.2	5.80	66.3	5.40	67.6	4.65	68.5	4.25	68.8	3.75
28.0	62.9	5.10	64.1	4.95	65.4	4.45	66.2	4.10	66.5	3.70
30.0	60.5	4.55	61.7	4.40	63.0	4.15	63.8	3.85	63.9	3.70
32.0	58.1	4.05	59.2	3.95	60.6	3.80	61.4	3.65		
34.0	55.3	3.65	56.7	3.55	58.0	3.45	58.7	3.40		
36.0	52.7	3.25	54.0	3.20	55.4	3.10	55.9	3.10		
38.0	49.9	2.60	50.8	2.80	52.5	2.80	52.9	2.80		
40.0	47.1	2.00	47.9	2.15	49.5	2.30	49.4	2.35		
42.0	44.1	1.40	44.9	1.55	46.2	1.70				
44.0	40.8	0.85	41.6	1.00	42.8	1.15				
Critical boom angle (°)	39		40		41					





# Super luffing jib (Operation of SL jib)

Specification SA1	Outriggers fully extended (8.4m) 360° full range, with 24ton counterweight mounted to crane									
Offset	2°		15°		30°		45°		60°	
Working radius (m)	Boom angle (°)	Load (ton)	Boom angle (°)	Load (ton)	Boom angle (°)	Load (ton)	Boom angle (°)	Load (ton)	Boom angle (°)	Load (ton)
9.0	83.1	3.50								
10.0	82.3	3.50								
12.0	80.9	3.50								
14.0	79.5	3.50	83.1	2.90						
16.0	78.0	3.50	81.6	2.90						
18.0	76.6	3.50	80.0	2.90	83.4	1.95				
20.0	75.1	3.50	78.4	2.80	81.8	1.95				
22.0	73.7	3.50	76.9	2.65	80.1	1.95	82.9	1.50		
24.0	72.0	3.35	75.2	2.50	78.4	1.90	81.1	1.50	83.0	1.20
26.0	70.4	3.10	73.4	2.35	76.6	1.80	79.3	1.50	81.2	1.20
28.0	68.6	2.90	71.7	2.20	74.9	1.75	77.4	1.45	79.1	1.20
30.0	66.9	2.70	70.0	2.10	73.1	1.65	75.5	1.40	77.0	1.15
32.0	65.1	2.55	68.1	1.95	71.2	1.60	73.5	1.35	74.9	1.15
34.0	63.3	2.35	66.2	1.85	69.3	1.50	71.6	1.35	72.7	1.15
36.0	61.4	2.25	64.5	1.80	67.4	1.45	69.4	1.30	70.4	1.10
38.0	59.5	2.10	62.5	1.70	65.3	1.40	67.3	1.25	68.1	1.10
40.0	57.5	1.95	60.5	1.60	63.3	1.35	65.1	1.25	65.6	1.10
42.0	55.5	1.85	58.5	1.55	61.2	1.30	62.8	1.20	63.1	1.10
44.0	53.5	1.75	56.3	1.45	59.2	1.30	60.5	1.20		
46.0	51.2	1.65	54.1	1.40	56.6	1.25	57.9	1.20		
48.0	48.7	1.50	51.6	1.35	54.1	1.20	55.2	1.15		
50.0	46.2	1.10	48.9	1.30	51.8	1.20	52.3	1.15		
52.0			46.2	1.10	48.9	1.15	49.0	1.10		
54.0					45.7	0.90				
Critical boom angle (°)	44		44		44		47		62	
Standard hook	for 7.8 ton									
Hook mass	250kg									
Parts of line	1									

Specification SA1	Outriggers fully extended (8.4m) 360° full range, with 24ton counterweight mounted to crane									
Offset	2°		15°		30°		45°		60°	
Working radius (m)	Boom angle (°)	Load (ton)	Boom angle (°)	Load (ton)	Boom angle (°)	Load (ton)	Boom angle (°)	Load (ton)	Boom angle (°)	Load (ton)
10.0	83.1	2.10								
12.0	81.8	2.10								
14.0	80.5	2.10								
16.0	79.2	2.10	83.7	1.85						
18.0	77.9	2.10	82.3	1.85						
20.0	76.5	2.10	80.8	1.85						
22.0	75.2	2.10	79.5	1.85	83.5	1.20				
24.0	73.9	2.10	78.0	1.75	82.0	1.20				
26.0	72.4	2.10	76.4	1.65	80.4	1.20	83.9	0.90		
28.0	71.1	2.10	74.9	1.55	78.9	1.15	82.2	0.90		
30.0	69.6	2.00	73.3	1.45	77.3	1.10	80.5	0.90	82.8	0.75
32.0	68.0	1.85	71.7	1.40	75.6	1.05	78.6	0.85	80.9	0.75
34.0	66.3	1.75	70.0	1.30	73.8	1.00	76.8	0.85	78.8	0.75
36.0	64.7	1.65	68.4	1.25	72.1	1.00	75.0	0.80	76.7	0.70
38.0	63.0	1.55	66.6	1.20	70.3	0.95	73.1	0.80	74.7	0.70
40.0	61.2	1.45	64.9	1.15	68.4	0.90	71.2	0.80	72.4	0.70
42.0	59.5	1.35	63.1	1.05	66.7	0.90	69.2	0.80	70.1	0.70
44.0	57.6	1.25	61.2	1.00	64.6	0.85	67.0	0.75	67.7	0.70
46.0	55.8	1.20	59.3	0.95	62.7	0.80	64.8	0.75	65.2	0.70
48.0	53.8	1.15	57.3	0.90	60.6	0.80	62.6	0.75	62.5	0.70
50.0	52.2	1.05	55.4	0.90	58.4	0.75	60.0	0.70		
52.0	50.1	1.00	53.2	0.85	56.2	0.75	57.5	0.70		
54.0	47.8	0.95	50.7	0.80	53.7	0.70	54.8	0.70		
56.0			47.8	0.75	51.1	0.70	51.9	0.70		
58.0					47.8	0.70	48.5	0.70		
Critical boom angle (°)	46		46		46		47		62	
Standard hook	for 7.8 ton									
Hook mass	250kg									
Parts of line	1									

Specification SA1	Outriggers fully extended (8.4m) 360° full range, with 24ton counterweight mounted to crane									
Offset	5°		15°		30°		45°		60°	
Working radius (m)	Boom angle (°)	Load (ton)	Boom angle (°)	Load (ton)	Boom angle (°)	Load (ton)	Boom angle (°)	Load (ton)	Boom angle (°)	Load (ton)
8.0	82.5	5.20								
9.0	81.7	5.20								
10.0	80.9	5.20	82.2	5.20						
12.0	79.3	5.20	80.6	5.20	82.3	5.20				
14.0	77.7	5.20	79.0	5.20	80.7	5.20	81.9	4.80	82.5	3.85
16.0	76.0	5.20	77.3	5.20	79.0	5.20	80.2	4.80	80.7	3.85
18.0	74.4	5.20	75.6	5.20	77.3	5.20	78.4	4.80	78.9	3.85
20.0	72.7	5.20	73.9	5.20	75.6	5.20	76.6	4.65	77.0	3.85
22.0	71.0	5.20	72.2	5.20	73.8	5.15	74.6	4.55	75.0	3.80
24.0	69.3	5.20	70.5	5.20	71.9	4.90	72.7	4.40	73.1	3.75
26.0	67.5	5.20	68.6	5.15	69.9	4.55	70.7	4.20	71.0	3.75
28.0	65.7	5.20	66.7	4.75	67.8	4.20	68.6	3.90	68.9	3.70
30.0	63.5	4.55	64.6	4.35	65.8	3.95	66.5	3.65	66.8	3.55
32.0	61.4	4.05	62.5	4.00	63.6	3.65	64.3	3.45	64.5	3.40
34.0	59.0	3.55	60.1	3.55	61.4	3.40	62.1	3.25		
36.0	56.6	3.15	57.6	3.15	59.1	3.15	59.7	3.05		
38.0	54.1	2.70	55.3	2.80	56.5	2.80	56.9	2.80		
40.0	51.5	2.10	52.7	2.25	53.9	2.45	54.3	2.50		
42.0	48.8	1.55	49.8	1.70	51.0	1.85	51.4	1.95		
44.0	46.0	1.00	47.0	1.15	48.0	1.35				
46.0					45.0	0.75				
Critical boom angle (°)	44		44		44		48		63	
Standard hook	for 7.8 ton									
Hook mass	250kg									
Parts of line	1									

Specification SA1	Outriggers fully extended (8.4m) 360° full range, with 24ton counterweight mounted to crane									
Offset	2°		15°		30°		45°		60°	
Working radius (m)	Boom angle (°)	Load (ton)	Boom angle (°)	Load (ton)	Boom angle (°)	Load (ton)	Boom angle (°)	Load (ton)	Boom angle (°)	Load (ton)
9.0	82.8	4.00								
10.0	82.1	4.00								
12.0	80.6	4.00	83.3	4.00						
14.0	79.1	4.00	81.8	4.00						
16.0	77.7	4.00	80.3	4.00	82.6	3.10				
18.0	76.2	4.00	78.8	4.00	81.1	3.10	83.0	2.50		
20.0	74.7	4.00	77.3	4.00	79.5	3.10	81.3	2.50	82.5	1.95
22.0	73.2	4.00	75.6	3.85	77.8	3.00	79.6	2.50	80.7	1.95
24.0	71.6	4.00	74.0	3.65	76.1	2.85	77.8	2.45	78.8	1.95
26.0	70.0	4.00	72.3	3.45	74.4	2.75	76.0	2.35	76.9	1.95
28.0	68.5	4.00	70.6	3.30	72.6	2.65	74.2	2.30	74.9	1.95
30.0	66.8	3.95	68.8	3.15	70.7	2.55	72.2	2.25	73.0	1.90
32.0	65.0	3.60	67.0	3.00	68.9	2.45	70.3	2.20	70.9	1.90
34.0	63.1	3.30	65.2	2.85	67.1	2.40	68.4	2.15	68.8	1.90
36.0	61.1	3.05	63.2	2.65	65.0	2.30	66.3	2.10	66.6	1.90
38.0	58.9	2.75	61.2	2.50	63.1	2.25	64.2	2.05	64.4	1.90
40.0	56.8	2.50	59.1	2.30	60.9	2.10	61.9	2.00		
42.0	54.4	2.20	56.8	2.10	58.7	1.95	59.6	1.85		
44.0	52.0	1.75	54.3	1.95	56.2	1.80	57.1	1.75		
46.0	49.3	1.30	51.9	1.60	53.7	1.70	54.2	1.65		
48.0	47.0	0.85	49.1	1.15	50.9	1.40	51.6	1.50		
50.0					48.1	0.95				
Critical boom angle (°)	46		47		47		50		63	
Standard hook	for 7.8 ton									
Hook mass	250kg									
Parts of line	1									

Specification SA1	Outriggers fully extended (8.4m) 360° full range, with 24ton counterweight mounted to crane									
Offset	2°		15°		30°		45°		60°	
Working radius (m)	Boom angle (°)	Load (ton)	Boom angle (°)	Load (ton)	Boom angle (°)	Load (ton)	Boom angle (°)	Load (ton)	Boom angle (°)	Load (ton)
10.0	82.7	3.00								
12.0	81.4	3.00								
14.0	80.1	3.00	83.6	2.90						
16.0	78.8	3.00	82.3	2.90						
18.0	77.5	3.00	80.9	2.90						
20.0	76.1	3.00	79.5	2.90	82.5	1.95				
22.0	74.7	3.00	78.0	2.70	81.0	1.95	83.5	1.50		
24.0	73.3	3.00	76.5	2.55	79.4	1.95	81.9	1.50		
26.0	71.9	3.00	74.9	2.40	77.9	1.85	80.3	1.50	81.9	1.15
28.0	70.5	3.00	73.4	2.30	76.2	1.75	78.6	1.50	80.1	1.15
30.0	69.0	2.85	71.7	2.15	74.6	1.70	76.9	1.45	78.2	1.15
32.0	67.4	2.70	70.1	2.05	72.9	1.60	75.1	1.40	76.4	1.15
34.0	65.7	2.50	68.4	1.95	71.1	1.55	73.3	1.35	74.4	1.15
36.0	64.0	2.35	66.8	1.85	69.4	1.50	71.4	1.30	72.3	1.10
38.0	62.3	2.25	65.0	1.75	67.6	1.45	69.5	1.30	70.3	1.10
40.0	60.5	2.10	63.2	1.70	65.8	1.40	67.5	1.25	68.1	1.10
42.0	58.8	2.00	61.4	1.60	63.9	1.35	65.5	1.25	65.9	1.10
44.0	56.6	1.85	59.5	1.55	61.9	1.30	63.4	1.20	63.5	1.10
46.0	54.4	1.70	57.6	1.50	59.8	1.25	61.2	1.20		
48.0	52.2	1.55	5							



### 44m Boom + 9.2m SL Jib

Specification SB1	Outriggers fully extended (8.4m) 360° full range, with 16ton counterweight mounted to crane											
Offset	5°		15°		30°		45°		60°		Working radius (m)	Boom angle (°)
	Load (ton)	Boom angle (°)	Load (ton)	Boom angle (°)	Load (ton)	Boom angle (°)	Load (ton)	Boom angle (°)	Load (ton)	Boom angle (°)		
7.0	82.3	7.00										
8.0	81.3	7.00	82.9	7.00								
9.0	80.4	7.00	81.9	7.00								
10.0	79.4	7.00	80.8	7.00	82.8	5.90						
12.0	77.4	7.00	78.9	7.00	80.7	5.90	82.2	4.80				
14.0	75.4	7.00	76.9	7.00	78.6	5.90	80.0	4.80	80.9	3.90		
16.0	73.4	7.00	74.9	7.00	76.5	5.60	77.8	4.80	78.6	3.90		
18.0	71.3	7.00	72.8	6.60	74.3	5.35	75.5	4.65	76.2	3.85		
20.0	69.2	6.75	70.5	6.05	72.1	5.10	73.2	4.50	73.9	3.80		
22.0	66.9	5.90	68.1	5.40	69.7	4.85	70.9	4.40	71.3	3.75		
24.0	64.5	5.25	65.7	4.80	67.3	4.40	68.4	4.10	68.9	3.75		
26.0	62.0	4.65	63.2	4.35	64.8	3.95	65.8	3.75	66.2	3.65		
28.0	59.5	4.15	60.7	3.90	62.2	3.60	63.1	3.45	63.5	3.40		
30.0	56.9	3.75	58.1	3.50	59.5	3.30	60.4	3.15				
32.0	54.2	3.35	55.3	3.20	56.8	3.00	57.5	2.90				
34.0	51.3	2.75	52.6	2.90	53.9	2.75	54.5	2.70				
36.0	47.9	1.95	49.4	2.15	50.8	2.35	51.3	2.45				
38.0	44.7	1.25	46.0	1.45	47.3	1.65	47.5	1.75				
40.0			42.4	0.80	43.4	0.95						
Critical boom angle (°)	42		42		42		47		62			
Standard hook	for 7.8 ton											
Hook mass	250kg											
Parts of line	1											

### 44m Boom + 15.0m SL Jib

Specification SB1	Outriggers fully extended (8.4m) 360° full range, with 16ton counterweight mounted to crane											
Offset	2°		15°		30°		45°		60°		Working radius (m)	Boom angle (°)
	Load (ton)	Boom angle (°)	Load (ton)	Boom angle (°)	Load (ton)	Boom angle (°)	Load (ton)	Boom angle (°)	Load (ton)	Boom angle (°)		
8.0	82.4	4.00										
9.0	81.5	4.00										
10.0	80.6	4.00										
12.0	78.8	4.00	81.9	4.00								
14.0	77.0	4.00	80.1	4.00	83.0	3.15						
16.0	75.3	4.00	78.3	4.00	81.1	3.15	83.4	2.55				
18.0	73.4	4.00	76.4	4.00	79.2	3.15	81.4	2.55	83.1	2.00		
20.0	71.6	4.00	74.4	3.85	77.1	3.00	79.3	2.55	80.8	2.00		
22.0	69.7	4.00	72.5	3.60	75.1	2.85	77.2	2.45	78.5	2.00		
24.0	67.7	4.00	70.4	3.40	72.9	2.75	75.0	2.35	76.2	1.95		
26.0	65.7	4.00	68.3	3.20	70.8	2.60	72.7	2.30	73.8	1.95		
28.0	63.6	3.60	66.2	3.05	68.6	2.50	70.5	2.25	71.4	1.90		
30.0	61.3	3.20	64.0	2.85	66.3	2.40	68.1	2.15	68.8	1.90		
32.0	59.0	2.90	61.6	2.60	64.0	2.35	65.6	2.10	66.2	1.90		
34.0	56.7	2.60	59.3	2.40	61.6	2.20	63.1	2.10	63.5	1.90		
36.0	54.2	2.35	56.8	2.15	59.0	2.00	60.4	1.95				
38.0	51.6	2.10	54.2	1.95	56.4	1.85	57.6	1.80				
40.0	48.8	1.65	51.6	1.80	53.6	1.70	54.5	1.65				
42.0	45.8	1.05	48.5	1.45	50.6	1.55	51.3	1.55				
44.0			45.3	0.85	47.3	1.15	47.7	1.20				
Critical boom angle (°)	43		44		44		47		62			
Standard hook	for 7.8 ton											
Hook mass	250kg											
Parts of line	1											

### 44m Boom + 20.8m SL Jib

Specification SB1	Outriggers fully extended (8.4m) 360° full range, with 16ton counterweight mounted to crane											
Offset	2°		15°		30°		45°		60°		Working radius (m)	Boom angle (°)
	Load (ton)	Boom angle (°)	Load (ton)	Boom angle (°)	Load (ton)	Boom angle (°)	Load (ton)	Boom angle (°)	Load (ton)	Boom angle (°)		
9.0	82.6	3.75										
10.0	81.8	3.75										
12.0	80.3	3.75										
14.0	78.7	3.75	82.4	2.90								
16.0	77.1	3.75	80.8	2.90								
18.0	75.5	3.75	79.1	2.90	82.7	1.95						
20.0	73.9	3.75	77.3	2.75	81.0	1.95						
22.0	72.1	3.45	75.5	2.55	79.2	1.95	82.2	1.50				
24.0	70.3	3.20	73.7	2.40	77.3	1.85	80.3	1.50	82.4	1.20		
26.0	68.5	2.95	71.8	2.25	75.3	1.75	78.2	1.50	80.1	1.20		
28.0	66.6	2.75	69.9	2.10	73.4	1.70	76.2	1.45	77.9	1.20		
30.0	64.7	2.55	68.0	2.00	71.4	1.60	74.1	1.40	75.7	1.15		
32.0	62.7	2.40	66.0	1.90	69.3	1.55	71.8	1.35	73.2	1.15		
34.0	60.7	2.20	64.0	1.80	67.3	1.50	69.6	1.30	70.8	1.15		
36.0	58.7	2.10	61.9	1.70	65.0	1.40	67.4	1.30	68.2	1.15		
38.0	56.5	1.90	59.7	1.60	62.8	1.35	64.9	1.25	65.5	1.10		
40.0	54.2	1.70	57.5	1.55	60.5	1.30	62.3	1.20	62.8	1.10		
42.0	51.8	1.55	55.2	1.45	58.1	1.30	59.8	1.20				
44.0	49.5	1.40	52.7	1.30	55.5	1.25	57.0	1.20				
46.0	46.8	1.00	50.1	1.20	52.8	1.10	54.0	1.10				
48.0			47.2	0.95	49.9	1.05	50.7	1.00				
50.0					46.5	0.75						
Critical boom angle (°)	44		45		45		47		62			
Standard hook	for 7.8 ton											
Hook mass	250kg											
Parts of line	1											

### 44m Boom + 26.6m SL Jib

Specification SB1	Outriggers fully extended (8.4m) 360° full range, with 16ton counterweight mounted to crane											
Offset	2°		15°		30°		45°		60°		Working radius (m)	Boom angle (°)
	Load (ton)	Boom angle (°)	Load (ton)	Boom angle (°)	Load (ton)	Boom angle (°)	Load (ton)	Boom angle (°)	Load (ton)	Boom angle (°)		
10.0	82.6	2.20										
12.0	81.3	2.20										
14.0	79.8	2.20										
16.0	78.5	2.20	83.2	1.90								
18.0	77.0	2.20	81.7	1.90								
20.0	75.6	2.20	80.1	1.90								
22.0	74.1	2.20	78.6	1.80	83.0	1.20						
24.0	72.6	2.20	77.0	1.70	81.3	1.20						
26.0	71.2	2.20	75.3	1.60	79.7	1.20	83.3	0.90				
28.0	69.5	2.05	73.6	1.50	77.9	1.15	81.5	0.90				
30.0	67.8	1.90	71.8	1.40	76.0	1.10	79.6	0.90	82.1	0.75		
32.0	66.0	1.75	70.1	1.35	74.2	1.05	77.6	0.85	80.0	0.75		
34.0	64.3	1.65	68.2	1.25	72.4	1.00	75.6	0.85	77.7	0.75		
36.0	62.5	1.55	66.4	1.20	70.4	0.95	73.5	0.80	75.4	0.70		
38.0	60.5	1.45	64.5	1.15	68.6	0.95	71.4	0.80	73.0	0.70		
40.0	58.7	1.35	62.6	1.10	66.5	0.90	69.2	0.80	70.6	0.70		
42.0	56.7	1.25	60.6	1.00	64.3	0.85	66.9	0.75	67.9	0.70		
44.0	54.7	1.20	58.5	0.95	62.2	0.80	64.6	0.75	65.2	0.70		
46.0	52.5	1.10	56.4	0.90	59.9	0.80	62.1	0.75				
48.0	50.4	1.05	54.3	0.90	57.5	0.75	59.4	0.70				
50.0	48.0	0.85	51.9	0.85	55.1	0.75	56.7	0.70				
52.0			49.5	0.80	52.5	0.70	53.6	0.70				
54.0					49.6	0.70	50.2	0.70				
Critical boom angle (°)	46		47		47		47		62			
Standard hook	for 7.8 ton											
Hook mass	250kg											
Parts of line	1											

### 48m Boom + 9.2m SL Jib

Specification SB1	Outriggers fully extended (8.4m) 360° full range, with 16ton counterweight mounted to crane											
Offset	5°		15°		30°		45°		60°		Working radius (m)	Boom angle (°)
	Load (ton)	Boom angle (°)	Load (ton)	Boom angle (°)	Load (ton)	Boom angle (°)	Load (ton)	Boom angle (°)	Load (ton)	Boom angle (°)		
7.0	82.9	6.00										
8.0	81.9	6.00										
9.0	81.1	6.00	82.5	6.00								
10.0	80.2	6.00	81.6	6.00								
12.0	78.4	6.00	79.8	6.00	81.7	5.90	82.9	4.80				
14.0	76.7	6.00	78.0	6.00	79.8	5.90	81.0	4.80	81.8	3.85		
16.0	74.9	6.00	76.2	6.00	77.9	5.75	79.1	4.80	79.7	3.85		
18.0	72.9	6.00	74.3	6.00	76.0	5.50	77.1	4.75	77.6	3.85		
20.0	71.1	6.00	72.4	6.00	73.9	5.25	75.0	4.60	75.5	3.80		
22.0	69.2	6.00	70.5	6.00	71.8	5.05	72.8	4.45	73.3	3.80		
24.0	67.3	6.00	68.5	5.80	69.8	4.85	70.7	4.35	71.1	3.75		
26.0	65.2	5.80	66.3	5.40	67.6	4.65	68.5	4.25	68.8	3.75		
28.0	62.9	5.10	64.1	4.95	65.4	4.45	66.2	4.10	66.5	3.70		
30.0	60.5	4.55	61.7	4.40	63.0	4.15	63.8	3.85	63.9	3.70		
32.0	58.1	3.65	59.2	3.90	60.6	3.80	61.4	3.65				
34.0	55.1	2.85	56.6	3.05	58.0	3.35	58.7	3.40				
36.0	52.3	2.15	53.7	2.35	55.1	2.60	55.8	2.70				
38.0	49.4	1.45	50.4	1.65	52.1	1.						



48m Boom + 20.8m SL Jib										
Specification SB1	Outriggers fully extended (8.4m) 360° full range, with 16ton counterweight mounted to crane									
Offset	2°		15°		30°		45°		60°	
Working radius (m)	Boom angle (°)	Load (ton)	Boom angle (°)	Load (ton)	Boom angle (°)	Load (ton)	Boom angle (°)	Load (ton)	Boom angle (°)	Load (ton)
9.0	83.1	3.50								
10.0	82.3	3.50								
12.0	80.9	3.50								
14.0	79.5	3.50	83.1	2.90						
16.0	78.0	3.50	81.6	2.90						
18.0	76.6	3.50	80.0	2.90	83.4	1.95				
20.0	75.1	3.50	78.4	2.80	81.8	1.95				
22.0	73.7	3.50	76.9	2.65	80.1	1.95	82.9	1.50		
24.0	72.0	3.35	75.2	2.50	78.4	1.90	81.1	1.50	83.0	1.20
26.0	70.4	3.10	73.4	2.35	76.6	1.80	79.3	1.50	81.2	1.20
28.0	68.6	2.90	71.7	2.20	74.9	1.75	77.4	1.45	79.1	1.20
30.0	66.9	2.70	70.0	2.10	73.1	1.65	75.5	1.40	77.0	1.15
32.0	65.1	2.55	68.1	1.95	71.2	1.60	73.5	1.35	74.9	1.15
34.0	63.3	2.35	66.2	1.85	69.3	1.50	71.6	1.35	72.7	1.15
36.0	61.4	2.25	64.5	1.80	67.4	1.45	69.4	1.30	70.4	1.10
38.0	59.5	2.10	62.5	1.70	65.3	1.40	67.3	1.25	68.1	1.10
40.0	57.5	1.95	60.5	1.60	63.3	1.35	65.1	1.25	65.6	1.10
42.0	55.5	1.85	58.5	1.55	61.2	1.30	62.8	1.20	63.1	1.10
44.0	53.4	1.75	56.3	1.45	59.3	1.30	60.5	1.20		
46.0	51.0	1.05	54.1	1.40	56.6	1.25	57.9	1.20		
48.0			51.5	1.05	54.1	1.20	55.2	1.15		
50.0					51.7	0.95	52.3	1.05		
Critical boom angle (°)	48		49		49		49		62	
Standard hook	for 7.8 ton									
Hook mass	250kg									
Parts of line	1									

48m Boom + 26.6m SL Jib										
Specification SB1	Outriggers fully extended (8.4m) 360° full range, with 16ton counterweight mounted to crane									
Offset	2°		15°		30°		45°		60°	
Working radius (m)	Boom angle (°)	Load (ton)	Boom angle (°)	Load (ton)	Boom angle (°)	Load (ton)	Boom angle (°)	Load (ton)	Boom angle (°)	Load (ton)
10.0	83.1	2.10								
12.0	81.8	2.10								
14.0	80.5	2.10								
16.0	79.2	2.10	83.7	1.85						
18.0	77.9	2.10	82.3	1.85						
20.0	76.5	2.10	80.8	1.85						
22.0	75.2	2.10	79.5	1.85	83.5	1.20				
24.0	73.9	2.10	78.0	1.75	82.0	1.20				
26.0	72.4	2.10	76.4	1.65	80.4	1.20	83.9	0.90		
28.0	71.1	2.10	74.9	1.55	78.9	1.15	82.2	0.90		
30.0	69.6	2.00	73.3	1.45	77.3	1.10	80.5	0.90	82.8	0.75
32.0	68.0	1.85	71.7	1.40	75.6	1.05	78.6	0.85	80.9	0.75
34.0	66.3	1.75	70.0	1.30	73.8	1.00	76.8	0.85	78.8	0.75
36.0	64.7	1.65	68.4	1.25	72.1	1.00	75.0	0.80	76.7	0.70
38.0	63.0	1.55	66.6	1.20	70.3	0.95	73.1	0.80	74.7	0.70
40.0	61.2	1.45	64.9	1.15	68.4	0.90	71.2	0.80	72.4	0.70
42.0	59.5	1.35	63.1	1.05	66.7	0.90	69.2	0.80	70.1	0.70
44.0	57.6	1.25	61.2	1.00	64.6	0.85	67.0	0.75	67.7	0.70
46.0	55.8	1.20	59.3	0.95	62.7	0.80	64.8	0.75	65.2	0.70
48.0	53.8	1.15	57.3	0.90	60.6	0.80	62.6	0.75	62.5	0.70
50.0	52.1	0.90	55.4	0.90	58.4	0.75	60.0	0.70		
52.0			53.2	0.85	56.2	0.75	57.5	0.70		
54.0					53.7	0.70	54.8	0.70		
56.0							51.9	0.70		
Critical boom angle (°)	50		51		51		51		62	
Standard hook	for 7.8 ton									
Hook mass	250kg									
Parts of line	1									

52m Boom + 9.2m SL Jib										
Specification SB1	Outriggers fully extended (8.4m) 360° full range, with 16ton counterweight mounted to crane									
Offset	5°		15°		30°		45°		60°	
Working radius (m)	Boom angle (°)	Load (ton)	Boom angle (°)	Load (ton)	Boom angle (°)	Load (ton)	Boom angle (°)	Load (ton)	Boom angle (°)	Load (ton)
8.0	82.5	5.20								
9.0	81.7	5.20								
10.0	80.9	5.20	82.2	5.20						
12.0	79.3	5.20	80.6	5.20	82.3	5.20				
14.0	77.7	5.20	79.0	5.20	80.7	5.20	81.9	4.80	82.5	3.85
16.0	76.0	5.20	77.3	5.20	79.0	5.20	80.2	4.80	80.7	3.85
18.0	74.4	5.20	75.6	5.20	77.3	5.20	78.4	4.80	78.9	3.85
20.0	72.7	5.20	73.9	5.20	75.6	5.20	76.6	4.65	77.0	3.85
22.0	71.0	5.20	72.2	5.20	73.8	5.15	74.6	4.55	75.0	3.80
24.0	69.3	5.20	70.5	5.20	71.9	4.90	72.7	4.40	73.1	3.75
26.0	67.5	5.20	68.6	5.15	69.9	4.55	70.7	4.20	71.0	3.75
28.0	65.7	5.20	66.7	4.75	67.8	4.20	68.6	3.90	68.9	3.70
30.0	63.5	4.55	64.6	4.35	65.8	3.95	66.5	3.65	66.8	3.55
32.0	61.4	3.80	62.5	4.00	63.6	3.65	64.3	3.45	64.5	3.40
34.0	58.9	3.00	60.1	3.25	61.4	3.40	62.1	3.25		
36.0	56.3	2.30	57.5	2.50	59.0	2.75	59.7	2.90		
38.0	53.7	1.65	54.9	1.85	56.2	2.10	56.7	2.20		
40.0			52.2	1.20	53.4	1.40	53.9	1.50		
Critical boom angle (°)	51		51		51		51		63	
Standard hook	for 7.8 ton									
Hook mass	250kg									
Parts of line	1									

52m Boom + 15.0m SL Jib										
Specification SB1	Outriggers fully extended (8.4m) 360° full range, with 16ton counterweight mounted to crane									
Offset	2°		15°		30°		45°		60°	
Working radius (m)	Boom angle (°)	Load (ton)	Boom angle (°)	Load (ton)	Boom angle (°)	Load (ton)	Boom angle (°)	Load (ton)	Boom angle (°)	Load (ton)
9.0	82.8	4.00								
10.0	82.1	4.00								
12.0	80.6	4.00	83.3	4.00						
14.0	79.1	4.00	81.8	4.00						
16.0	77.7	4.00	80.3	4.00	82.6	3.10				
18.0	76.2	4.00	78.8	4.00	81.1	3.10	83.0	2.50		
20.0	74.7	4.00	77.3	4.00	79.5	3.10	81.3	2.50	82.5	1.95
22.0	73.2	4.00	75.6	3.85	77.8	3.00	79.6	2.50	80.7	1.95
24.0	71.6	4.00	74.0	3.65	76.1	2.85	77.8	2.45	78.8	1.95
26.0	70.0	4.00	72.3	3.45	74.4	2.75	76.0	2.35	76.9	1.95
28.0	68.5	4.00	70.6	3.30	72.6	2.65	74.2	2.30	74.9	1.95
30.0	66.8	3.95	68.8	3.15	70.7	2.55	72.2	2.25	73.0	1.90
32.0	65.0	3.60	67.0	3.00	68.9	2.45	70.3	2.20	70.9	1.90
34.0	63.1	3.30	65.2	2.85	67.1	2.40	68.4	2.15	68.8	1.90
36.0	61.1	3.05	63.2	2.65	65.0	2.30	66.3	2.10	66.6	1.90
38.0	58.9	2.45	61.2	2.50	63.1	2.25	64.2	2.05	64.4	1.90
40.0	56.6	1.90	59.1	2.30	60.9	2.10	61.9	2.00		
42.0	54.0	1.30	56.7	1.75	58.7	1.95	59.6	1.85		
44.0			54.0	1.20	56.1	1.50	57.1	1.65		
46.0					54.1	1.05				
Critical boom angle (°)	52		53		53		53		63	
Standard hook	for 7.8 ton									
Hook mass	250kg									
Parts of line	1									

52m Boom + 20.8m SL Jib										
Specification SB1	Outriggers fully extended (8.4m) 360° full range, with 16ton counterweight mounted to crane									
Offset	2°		15°		30°		45°		60°	
Working radius (m)	Boom angle (°)	Load (ton)	Boom angle (°)	Load (ton)	Boom angle (°)	Load (ton)	Boom angle (°)	Load (ton)	Boom angle (°)	Load (ton)
10.0	82.7	3.00								
12.0	81.4	3.00								
14.0	80.1	3.00	83.6	2.90						
16.0	78.8	3.00	82.3	2.90						
18.0	77.5	3.00	80.9	2.90						
20.0	76.1	3.00	79.5	2.90	82.5	1.95				
22.0	74.7	3.00	78.0	2.70	81.0	1.95	83.5	1.50		
24.0	73.3	3.00	76.5	2.55	79.4	1.95	81.9	1.50		
26.0	71.9	3.00	74.9	2.40	77.9	1.85	80.3	1.50	81.9	1.15
28.0	70.5	3.00	73.4	2.30	76.2	1.75	78.6	1.50	80.1	1.15
30.0	69.0	2.85	71.7	2.15	74.6	1.70	76.9	1.45	78.2	1.15
32.0	67.4	2.70	70.1	2.05	72.9	1.60	75.1	1.40	76.4	1.15
34.0	65.7	2.50	68.4	1.95	71.1	1.55	73.3	1.35	74.4	1.15
36.0	64.0	2.35	66.8	1.85	69.4	1.50	71.4	1.30	72.3	1.10
38.0	62.3	2.25	65.0	1.75	67.6	1.45	69.5	1.30	70.3	1.10
40.0	60.5	2.10	63.2	1.70	65.8	1.40	67.5	1.25	68.1	1.10
42.0	58.8	2.00	61.4	1.60	63.9	1.35	65.5	1.25	65.9	1.10
44.0	56.6	1.65	59.5	1.55	61.9	1.30	63.4	1.20	63.5	1.10
46.0	54.2	1.15	57.6	1.50	59.8	1.25	61.2	1.20		
48.0			55.3	1.15	57.8	1.25	58.9	1.15		
50.0					55.5	1.10	56.5	1.15		
Critical boom angle (°)	53		54		54		54		63	
Standard hook	for 7.8 ton									
Hook mass	250kg									
Parts of line	1									

52m Boom + 26.6m SL Jib										
Specification SB1	Outriggers fully extended (8.4m) 360° full range, with 16ton counterweight mounted to crane									
Offset	2°		15°		30°		45°		60°	
Working radius (m)	Boom angle (°)	Load (ton)	Boom angle (°)	Load (ton)	Boom angle (°)	Load (ton)	Boom angle (°)	Load (ton)	Boom angle (°)	Load (ton)
12.0	82.2	2.00								





# Super luffing jib (Operation of SL jib)

44m Boom + 9.2m SL Jib										
Specification SC1	Outriggers fully extended (8.4m) 360° full range, with 8.5ton counterweight mounted to crane									
Offset	5°		15°		30°		45°		60°	
Working radius (m)	Boom angle (°)	Load (ton)	Boom angle (°)	Load (ton)	Boom angle (°)	Load (ton)	Boom angle (°)	Load (ton)	Boom angle (°)	Load (ton)
7.0	82.3	7.00								
8.0	81.3	7.00	82.9	7.00						
9.0	80.4	7.00	81.9	7.00						
10.0	79.4	7.00	80.8	7.00	82.8	5.90				
12.0	77.4	7.00	78.9	7.00	80.7	5.90	82.2	4.80		
14.0	75.4	7.00	76.9	7.00	78.6	5.90	80.0	4.80	80.9	3.90
16.0	73.4	7.00	74.9	7.00	76.5	5.60	77.8	4.80	78.6	3.90
18.0	71.3	7.00	72.8	6.60	74.3	5.35	75.5	4.65	76.2	3.85
20.0	69.2	6.75	70.5	6.05	72.1	5.10	73.2	4.50	73.9	3.80
22.0	66.9	5.90	68.1	5.40	69.7	4.85	70.9	4.40	71.3	3.75
24.0	64.5	5.25	65.7	4.80	67.3	4.40	68.4	4.10	68.9	3.75
26.0	62.0	4.65	63.2	4.35	64.8	3.95	65.8	3.75	66.2	3.65
28.0	59.2	3.55	60.7	3.90	62.2	3.60	63.1	3.45	63.5	3.40
30.0	56.4	2.55	57.8	2.85	59.5	3.25	60.4	3.15		
32.0	53.5	1.70	54.8	1.95	56.4	2.30	57.4	2.50		
34.0					53.4	1.50	54.0	1.65		
Critical boom angle (°)	52		52		52		53		62	
Standard hook	for 7.8 ton									
Hook mass	250kg									
Parts of line	1									

44m Boom + 15.0m SL Jib										
Specification SC1	Outriggers fully extended (8.4m) 360° full range, with 8.5ton counterweight mounted to crane									
Offset	2°		15°		30°		45°		60°	
Working radius (m)	Boom angle (°)	Load (ton)	Boom angle (°)	Load (ton)	Boom angle (°)	Load (ton)	Boom angle (°)	Load (ton)	Boom angle (°)	Load (ton)
8.0	82.4	4.00								
9.0	81.5	4.00								
10.0	80.6	4.00								
12.0	78.8	4.00	81.9	4.00						
14.0	77.0	4.00	80.1	4.00	83.0	3.15				
16.0	75.3	4.00	78.3	4.00	81.1	3.15	83.4	2.55		
18.0	73.4	4.00	76.4	4.00	79.2	3.15	81.4	2.55	83.1	2.00
20.0	71.6	4.00	74.4	3.85	77.1	3.00	79.3	2.55	80.8	2.00
22.0	69.7	4.00	72.5	3.60	75.1	2.85	77.2	2.45	78.5	2.00
24.0	67.7	4.00	70.4	3.40	72.9	2.75	75.0	2.35	76.2	1.95
26.0	65.7	4.00	68.3	3.20	70.8	2.60	72.7	2.30	73.8	1.95
28.0	63.6	3.60	66.2	3.05	68.6	2.50	70.5	2.25	71.4	1.90
30.0	61.3	3.20	64.0	2.85	66.3	2.40	68.1	2.15	68.8	1.90
32.0	58.4	2.60	61.6	2.60	64.0	2.35	65.6	2.10	66.2	1.90
34.0	56.0	1.85	59.3	2.40	61.6	2.20	63.1	2.10	63.5	1.90
36.0	53.5	1.20	56.3	1.75	59.0	2.00	60.4	1.95		
38.0			53.7	1.10	56.0	1.50	57.6	1.75		
40.0							53.9	1.10		
Critical boom angle (°)	53		53		53		53		62	
Standard hook	for 7.8 ton									
Hook mass	250kg									
Parts of line	1									

44m Boom + 20.8m SL Jib										
Specification SC1	Outriggers fully extended (8.4m) 360° full range, with 8.5ton counterweight mounted to crane									
Offset	2°		15°		30°		45°		60°	
Working radius (m)	Boom angle (°)	Load (ton)	Boom angle (°)	Load (ton)	Boom angle (°)	Load (ton)	Boom angle (°)	Load (ton)	Boom angle (°)	Load (ton)
9.0	82.6	3.75								
10.0	81.8	3.75								
12.0	80.3	3.75								
14.0	78.7	3.75	82.4	2.90						
16.0	77.1	3.75	80.8	2.90						
18.0	75.5	3.75	79.1	2.90	82.7	1.95				
20.0	73.9	3.75	77.3	2.75	81.0	1.95				
22.0	72.1	3.45	75.5	2.55	79.2	1.95	82.2	1.50		
24.0	70.3	3.20	73.7	2.40	77.3	1.85	80.3	1.50	82.4	1.20
26.0	68.5	2.95	71.8	2.25	75.3	1.75	78.2	1.50	80.1	1.20
28.0	66.6	2.75	69.9	2.10	73.4	1.70	76.2	1.45	77.9	1.20
30.0	64.7	2.55	68.0	2.00	71.4	1.60	74.1	1.40	75.7	1.15
32.0	62.7	2.40	66.0	1.90	69.3	1.55	71.8	1.35	73.2	1.15
34.0	60.7	2.20	64.0	1.80	67.3	1.50	69.6	1.30	70.8	1.15
36.0	58.7	2.05	61.9	1.70	65.0	1.40	67.4	1.30	68.2	1.15
38.0	56.2	1.50	59.7	1.60	62.8	1.35	64.9	1.25	65.5	1.10
40.0			57.5	1.55	60.5	1.30	62.3	1.20	62.8	1.10
42.0					58.1	1.30	59.8	1.20		
44.0					55.4	1.00	57.0	1.20		
Critical boom angle (°)	55		55		55		56		62	
Standard hook	for 7.8 ton									
Hook mass	250kg									
Parts of line	1									

44m Boom + 26.6m SL Jib										
Specification SC1	Outriggers fully extended (8.4m) 360° full range, with 8.5ton counterweight mounted to crane									
Offset	2°		15°		30°		45°		60°	
Working radius (m)	Boom angle (°)	Load (ton)	Boom angle (°)	Load (ton)	Boom angle (°)	Load (ton)	Boom angle (°)	Load (ton)	Boom angle (°)	Load (ton)
10.0	82.6	2.20								
12.0	81.3	2.20								
14.0	79.8	2.20								
16.0	78.5	2.20	83.2	1.90						
18.0	77.0	2.20	81.7	1.90						
20.0	75.6	2.20	80.1	1.90						
22.0	74.1	2.20	78.6	1.80	83.0	1.20				
24.0	72.6	2.20	77.0	1.70	81.3	1.20				
26.0	71.2	2.20	75.3	1.60	79.7	1.20	83.3	0.90		
28.0	69.5	2.05	73.6	1.50	77.9	1.15	81.5	0.90		
30.0	67.8	1.90	71.8	1.40	76.0	1.10	79.6	0.90	82.1	0.75
32.0	66.0	1.75	70.1	1.35	74.2	1.05	77.6	0.85	80.0	0.75
34.0	64.3	1.65	68.2	1.25	72.4	1.00	75.6	0.85	77.7	0.75
36.0	62.5	1.55	66.4	1.20	70.4	0.95	73.5	0.80	75.4	0.70
38.0	60.5	1.45	64.5	1.15	68.6	0.95	71.4	0.80	73.0	0.70
40.0	58.7	1.35	62.6	1.10	66.5	0.90	69.2	0.80	70.6	0.70
42.0	56.7	1.20	60.6	1.00	64.3	0.85	66.9	0.75	67.9	0.70
44.0			58.5	0.95	62.2	0.80	64.6	0.75	65.2	0.70
46.0			56.4	0.90	59.9	0.80	62.1	0.75		
48.0					57.5	0.75	59.4	0.70		
Critical boom angle (°)	55		56		57		58		62	
Standard hook	for 7.8 ton									
Hook mass	250kg									
Parts of line	1									

48m Boom + 9.2m SL Jib										
Specification SC1	Outriggers fully extended (8.4m) 360° full range, with 8.5ton counterweight mounted to crane									
Offset	5°		15°		30°		45°		60°	
Working radius (m)	Boom angle (°)	Load (ton)	Boom angle (°)	Load (ton)	Boom angle (°)	Load (ton)	Boom angle (°)	Load (ton)	Boom angle (°)	Load (ton)
7.0	82.9	6.00								
8.0	81.9	6.00								
9.0	81.1	6.00	82.5	6.00						
10.0	80.2	6.00	81.6	6.00						
12.0	78.4	6.00	79.8	6.00	81.7	5.90	82.9	4.80		
14.0	76.7	6.00	78.0	6.00	79.8	5.90	81.0	4.80	81.8	3.85
16.0	74.9	6.00	76.2	6.00	77.9	5.75	79.1	4.80	79.7	3.85
18.0	72.9	6.00	74.3	6.00	76.0	5.50	77.1	4.75	77.6	3.85
20.0	71.1	6.00	72.4	6.00	73.9	5.25	75.0	4.60	75.5	3.80
22.0	69.2	6.00	70.5	6.00	71.8	5.05	72.8	4.45	73.3	3.80
24.0	67.3	6.00	68.5	5.80	69.8	4.85	70.7	4.35	71.1	3.75
26.0	65.0	4.90	66.3	5.30	67.6	4.65	68.5	4.25	68.8	3.75
28.0	62.7	3.70	63.6	4.10	65.4	4.45	66.2	4.10	66.5	3.70
30.0	60.3	2.70	61.2	3.05	62.7	3.45	63.8	3.70	63.9	3.70
32.0	57.6	1.85	58.8	2.15	60.1	2.50	60.6	2.75		
34.0					57.6	1.70	58.0	1.90		
Critical boom angle (°)	56		57		57		57		62	
Standard hook	for 7.8 ton									
Hook mass	250kg									
Parts of line	1									

48m Boom + 15.0m SL Jib										
Specification SC1	Outriggers fully extended (8.4m) 360° full range, with 8.5ton counterweight mounted to crane									
Offset	2°		15°		30°		45°		60°	
Working radius (m)	Boom angle (°)	Load (ton)	Boom angle (°)	Load (ton)	Boom angle (°)	Load (ton)	Boom angle (°)	Load (ton)	Boom angle (°)	Load (ton)
8.0	83.0	4.00								
9.0	82.2	4.00								
10.0	81.4	4.00								
12.0	79.8	4.00	82.7	4.00						
14.0	78.2	4.00	81.0	4.00	83.6	3.15				
16.0	76.5	4.00	79.4	4.00	81.9	3.15				
18.0	74.9	4.00	77.7	4.00	80.2	3.15	82.3	2.50		
20.0	73.2	4.00	75.9	3.95	78.4	3.05	80.4	2.50	81.7	2.00
22.0	71.5	4.00	74.2	3.75	76.6	2.95	78.4	2.50	79.7	2.00
24.0	69.8	4.00	72.3	3.50	74.6	2.80	76.5	2.40	77.6	1.95
26.0	68.0	4.00	70.4	3.35	72.7	2.70	74.5	2.35	75.5	1.95
28.0	66.2	4.00	68.5	3.15	70.7	2.60	72.4	2.25	73.2	1.90
30.0	64.3	3.55	66.5	3.00	68.7	2.50	70.3	2.20	71.1	1.90
32.0	61.8	2.70	64.4	2.85	66.6	2.40	68.1	2.15	68.7	1.90
34.0	59.5	1.95	62.4	2.55	64.4	2.30	65.9	2.10	66.3	1.90
36.0			59.6	1.85	62.3	2.25	63.5	2.05	63.8	1.90
38.0					59.4	1.65	61.2	1.95		
40.0							58.2	1.30		
Critical boom angle (°)	57		57		57		57		62	
Standard hook										



# Super luffing jib (Operation of SL jib)

Specification SC1 Outriggers fully extended (8.4m) 360° full range, with 8.5ton counterweight mounted to crane										
Offset	2°		15°		30°		45°		60°	
Working radius (m)	Boom angle (°)	Load (ton)	Boom angle (°)	Load (ton)	Boom angle (°)	Load (ton)	Boom angle (°)	Load (ton)	Boom angle (°)	Load (ton)
9.0	83.1	3.50								
10.0	82.3	3.50								
12.0	80.9	3.50								
14.0	79.5	3.50	83.1	2.90						
16.0	78.0	3.50	81.6	2.90						
18.0	76.6	3.50	80.0	2.90	83.4	1.95				
20.0	75.1	3.50	78.4	2.80	81.8	1.95				
22.0	73.7	3.50	76.9	2.65	80.1	1.95	82.9	1.50		
24.0	72.0	3.35	75.2	2.50	78.4	1.90	81.1	1.50	83.0	1.20
26.0	70.4	3.10	73.4	2.35	76.6	1.80	79.3	1.50	81.2	1.20
28.0	68.6	2.90	71.7	2.20	74.9	1.75	77.4	1.45	79.1	1.20
30.0	66.9	2.70	70.0	2.10	73.1	1.65	75.5	1.40	77.0	1.15
32.0	65.1	2.55	68.1	1.95	71.2	1.60	73.5	1.35	74.9	1.15
34.0	63.3	2.35	66.2	1.85	69.3	1.50	71.6	1.35	72.7	1.15
36.0	61.3	2.10	64.5	1.80	67.4	1.45	69.4	1.30	70.4	1.10
38.0	59.3	1.50	62.5	1.70	65.3	1.40	67.3	1.25	68.1	1.10
40.0			60.5	1.60	63.3	1.35	65.1	1.25	65.6	1.10
42.0					61.2	1.30	62.8	1.20	63.1	1.10
44.0					58.8	1.10	60.5	1.20		
Critical boom angle (°)	58		58		58		59		62	
Standard hook	for 7.8 ton									
Hook mass	250kg									
Parts of line	1									

Specification SC1 Outriggers fully extended (8.4m) 360° full range, with 8.5ton counterweight mounted to crane										
Offset	2°		15°		30°		45°		60°	
Working radius (m)	Boom angle (°)	Load (ton)	Boom angle (°)	Load (ton)	Boom angle (°)	Load (ton)	Boom angle (°)	Load (ton)	Boom angle (°)	Load (ton)
10.0	83.1	2.10								
12.0	81.8	2.10								
14.0	80.5	2.10								
16.0	79.2	2.10	83.7	1.85						
18.0	77.9	2.10	82.3	1.85						
20.0	76.5	2.10	80.8	1.85						
22.0	75.2	2.10	79.5	1.85	83.5	1.20				
24.0	73.9	2.10	78.0	1.75	82.0	1.20				
26.0	72.4	2.10	76.4	1.65	80.4	1.20	83.9	0.90		
28.0	71.1	2.10	74.9	1.55	78.9	1.15	82.2	0.90		
30.0	69.6	2.00	73.3	1.45	77.3	1.10	80.5	0.90	82.8	0.75
32.0	68.0	1.85	71.7	1.40	75.6	1.05	78.6	0.85	80.9	0.75
34.0	66.3	1.75	70.0	1.30	73.8	1.00	76.8	0.85	78.8	0.75
36.0	64.7	1.65	68.4	1.25	72.1	1.00	75.0	0.80	76.7	0.70
38.0	63.0	1.55	66.6	1.20	70.3	0.95	73.1	0.80	74.7	0.70
40.0	61.2	1.45	64.9	1.15	68.4	0.90	71.2	0.80	72.4	0.70
42.0	59.2	1.05	63.1	1.05	66.7	0.90	69.2	0.80	70.1	0.70
44.0			61.2	1.00	64.6	0.85	67.0	0.75	67.7	0.70
46.0					62.7	0.80	64.8	0.75	65.2	0.70
48.0					60.6	0.80	62.6	0.75	62.5	0.70
Critical boom angle (°)	58		60		60		61		62	
Standard hook	for 7.8 ton									
Hook mass	250kg									
Parts of line	1									

Specification SC1 Outriggers fully extended (8.4m) 360° full range, with 8.5ton counterweight mounted to crane										
Offset	5°		15°		30°		45°		60°	
Working radius (m)	Boom angle (°)	Load (ton)	Boom angle (°)	Load (ton)	Boom angle (°)	Load (ton)	Boom angle (°)	Load (ton)	Boom angle (°)	Load (ton)
8.0	82.5	5.20								
9.0	81.7	5.20								
10.0	80.9	5.20	82.2	5.20						
12.0	79.3	5.20	80.6	5.20	82.3	5.20				
14.0	77.7	5.20	79.0	5.20	80.7	5.20	81.9	4.80	82.5	3.85
16.0	76.0	5.20	77.3	5.20	79.0	5.20	80.2	4.80	80.7	3.85
18.0	74.4	5.20	75.6	5.20	77.3	5.20	78.4	4.80	78.9	3.85
20.0	72.7	5.20	73.9	5.20	75.6	5.20	76.6	4.65	77.0	3.85
22.0	71.0	5.20	72.2	5.20	73.8	5.15	74.6	4.55	75.0	3.80
24.0	69.3	5.20	70.5	5.20	71.9	4.90	72.7	4.40	73.1	3.75
26.0	67.5	5.05	68.6	5.15	69.9	4.55	70.7	4.20	71.0	3.75
28.0	65.2	3.85	66.6	4.25	67.8	4.20	68.6	3.90	68.9	3.70
30.0	63.0	2.85	64.1	3.20	65.3	3.90	66.5	3.65	66.8	3.55
32.0	60.8	2.00	62.0	2.30	63.1	2.85	64.0	3.05	64.5	3.25
34.0			59.4	1.55	60.8	1.95	61.6	2.15		
Critical boom angle (°)	59		59		59		59		63	
Standard hook	for 7.8 ton									
Hook mass	250kg									
Parts of line	1									

Specification SC1 Outriggers fully extended (8.4m) 360° full range, with 8.5ton counterweight mounted to crane										
Offset	2°		15°		30°		45°		60°	
Working radius (m)	Boom angle (°)	Load (ton)	Boom angle (°)	Load (ton)	Boom angle (°)	Load (ton)	Boom angle (°)	Load (ton)	Boom angle (°)	Load (ton)
9.0	82.8	4.00								
10.0	82.1	4.00								
12.0	80.6	4.00	83.3	4.00						
14.0	79.1	4.00	81.8	4.00						
16.0	77.7	4.00	80.3	4.00	82.6	3.10				
18.0	76.2	4.00	78.8	4.00	81.1	3.10	83.0	2.50		
20.0	74.7	4.00	77.3	4.00	79.5	3.10	81.3	2.50	82.5	1.95
22.0	73.2	4.00	75.6	3.85	77.8	3.00	79.6	2.50	80.7	1.95
24.0	71.6	4.00	74.0	3.65	76.1	2.85	77.8	2.45	78.8	1.95
26.0	70.0	4.00	72.3	3.45	74.4	2.75	76.0	2.35	76.9	1.95
28.0	68.5	4.00	70.6	3.30	72.6	2.65	74.2	2.30	74.9	1.95
30.0	66.8	3.65	68.8	3.15	70.7	2.55	72.2	2.25	73.0	1.90
32.0	64.6	2.80	67.0	3.00	68.9	2.45	70.3	2.20	70.9	1.90
34.0	62.6	2.05	65.2	2.65	67.1	2.40	68.4	2.15	68.8	1.90
36.0	60.4	1.40	62.8	1.95	65.0	2.30	66.3	2.10	66.6	1.90
38.0			60.7	1.30	62.8	1.80	64.2	2.05	64.4	1.90
40.0					60.4	1.20	61.6	1.45		
Critical boom angle (°)	59		60		60		60		63	
Standard hook	for 7.8 ton									
Hook mass	250kg									
Parts of line	1									

Specification SC1 Outriggers fully extended (8.4m) 360° full range, with 8.5ton counterweight mounted to crane										
Offset	2°		15°		30°		45°		60°	
Working radius (m)	Boom angle (°)	Load (ton)	Boom angle (°)	Load (ton)	Boom angle (°)	Load (ton)	Boom angle (°)	Load (ton)	Boom angle (°)	Load (ton)
10.0	82.7	3.00								
12.0	81.4	3.00								
14.0	80.1	3.00	83.6	2.90						
16.0	78.8	3.00	82.3	2.90						
18.0	77.5	3.00	80.9	2.90						
20.0	76.1	3.00	79.5	2.90	82.5	1.95				
22.0	74.7	3.00	78.0	2.70	81.0	1.95	83.5	1.50		
24.0	73.3	3.00	76.5	2.55	79.4	1.95	81.9	1.50		
26.0	71.9	3.00	74.9	2.40	77.9	1.85	80.3	1.50	81.9	1.15
28.0	70.5	3.00	73.4	2.30	76.2	1.75	78.6	1.50	80.1	1.15
30.0	69.0	2.85	71.7	2.15	74.6	1.70	76.9	1.45	78.2	1.15
32.0	66.6	2.70	70.1	2.05	72.9	1.60	75.1	1.40	76.4	1.15
34.0	64.8	2.50	68.4	1.95	71.1	1.55	73.3	1.35	74.4	1.15
36.0	63.0	2.15	66.8	1.85	69.4	1.50	71.4	1.30	72.3	1.10
38.0	61.1	1.55	64.6	1.75	67.6	1.45	69.5	1.30	70.3	1.10
40.0			62.7	1.65	65.8	1.40	67.5	1.25	68.1	1.10
42.0					63.4	1.35	65.5	1.25	65.9	1.10
44.0					61.4	1.20	63.4	1.20	63.5	1.10
Critical boom angle (°)	60		61		61		63		63	
Standard hook	for 7.8 ton									
Hook mass	250kg									
Parts of line	1									

Specification SC1 Outriggers fully extended (8.4m) 360° full range, with 8.5ton counterweight mounted to crane										
Offset	2°		15°		30°		45°		60°	
Working radius (m)	Boom angle (°)	Load (ton)	Boom angle (°)	Load (ton)	Boom angle (°)	Load (ton)	Boom angle (°)	Load (ton)	Boom angle (°)	Load (ton)
12.0	82.2	2.00								
14.0	81.1	2.00								
16.0	79.9	2.00	84.1	1.85						
18.0	78.7	2.00	82.8	1.85						
20.0	77.5	2.00	81.6	1.85						
22.0	76.2	2.00	80.3	1.85	83.9	1.15				
24.0	75.0	2.00	78.9	1.75	82.5	1.15				
26.0	73.7	2.00	77.5	1.65	81.1	1.15				
28.0	72.4	2.00	76.1	1.60	79.7	1.15	82.8	0.85		
30.0	71.1	2.00	74.6	1.50	78.2	1.10	81.2	0.85	83.4	0.75
32.0	69.8	1.95	73.2	1.45	76.7	1.05	79.6	0.85	81.6	0.75
34.0	68.3	1.85	71.7	1.35	75.2	1.05	78.0	0.85	79.8	0.75
36.0	66.8	1.75	70.2	1.30	73.6	1.00	76.3	0.85	78.0	0.70
38.0	65.2	1.65	68.6	1.25	71.9	0.95	74.6	0.80	76.1	0.70
40.0	63.7	1.55	67.1	1.20	70.3	0.95	72.8	0.80	74.1	0.70
42.0			65.3	1.10	68.6	0.90	71.1	0.80	72.1	0.70
44.0			63.7	1.05	66.9	0.85	69.1	0.75	70.0	0.70
46.0					65.2	0.85	67.2	0.75	67.8	0.70
48.0					63.2	0.80	65.2	0.75	65.5	0.70
Critical boom angle (°)	62									



# Super luffing jib (Operation of SL jib)

44m Boom + 9.2m SL Jib										
Specification SD1	Outriggers fully extended (8.4m) 360° full range, with 24ton or 16ton counterweight stowed in carrier									
Offset	5°		15°		30°		45°		60°	
Working radius (m)	Boom angle (°)	Load (ton)	Boom angle (°)	Load (ton)	Boom angle (°)	Load (ton)	Boom angle (°)	Load (ton)	Boom angle (°)	Load (ton)
7.0	82.3	7.00								
8.0	81.3	7.00	82.9	7.00						
9.0	80.4	7.00	81.9	7.00						
10.0	79.4	7.00	80.8	7.00	82.8	5.90				
12.0	77.4	7.00	78.9	7.00	80.7	5.90	82.2	4.80		
14.0	75.4	7.00	76.9	7.00	78.6	5.90	80.0	4.80	80.9	3.90
16.0	73.4	7.00	74.9	7.00	76.5	5.60	77.8	4.80	78.6	3.90
18.0	71.3	7.00	72.8	6.60	74.3	5.35	75.5	4.65	76.2	3.85
20.0	69.2	6.75	70.5	6.05	72.1	5.10	73.2	4.50	73.9	3.80
22.0	66.9	5.85	68.1	5.40	69.7	4.85	70.9	4.40	71.3	3.75
24.0	64.3	4.30	65.7	4.75	67.3	4.40	68.4	4.10	68.9	3.75
26.0	61.4	3.05	63.0	3.45	64.8	3.95	65.8	3.75	66.2	3.65
28.0			60.2	2.40	62.0	2.80	63.1	3.10	63.5	3.20
30.0							60.0	2.10		
Critical boom angle (°)	59		59		59		59		62	
Standard hook	for 7.8 ton									
Hook mass	250kg									
Parts of line	1									

44m Boom + 15.0m SL Jib										
Specification SD1	Outriggers fully extended (8.4m) 360° full range, with 24ton or 16ton counterweight stowed in carrier									
Offset	2°		15°		30°		45°		60°	
Working radius (m)	Boom angle (°)	Load (ton)	Boom angle (°)	Load (ton)	Boom angle (°)	Load (ton)	Boom angle (°)	Load (ton)	Boom angle (°)	Load (ton)
8.0	82.4	4.00								
9.0	81.5	4.00								
10.0	80.6	4.00								
12.0	78.8	4.00	81.9	4.00						
14.0	77.0	4.00	80.1	4.00	83.0	3.15				
16.0	75.3	4.00	78.3	4.00	81.1	3.15	83.4	2.55		
18.0	73.4	4.00	76.4	4.00	79.2	3.15	81.4	2.55	83.1	2.00
20.0	71.6	4.00	74.4	3.85	77.1	3.00	79.3	2.55	80.8	2.00
22.0	69.7	4.00	72.5	3.60	75.1	2.85	77.2	2.45	78.5	2.00
24.0	67.7	4.00	70.4	3.40	72.9	2.75	75.0	2.35	76.2	1.95
26.0	65.7	4.00	68.3	3.20	70.8	2.60	72.7	2.30	73.8	1.95
28.0	63.5	2.95	66.2	3.05	68.6	2.50	70.5	2.25	71.4	1.90
30.0	60.9	2.10	64.0	2.75	66.3	2.40	68.1	2.15	68.8	1.90
32.0					64.0	2.35	65.6	2.10	66.2	1.90
34.0							63.1	2.10	63.5	1.90
Critical boom angle (°)	60		61		61		61		61	
Standard hook	for 7.8 ton									
Hook mass	250kg									
Parts of line	1									

44m Boom + 20.8m SL Jib										
Specification SD1	Outriggers fully extended (8.4m) 360° full range, with 24ton or 16ton counterweight stowed in carrier									
Offset	2°		15°		30°		45°		60°	
Working radius (m)	Boom angle (°)	Load (ton)	Boom angle (°)	Load (ton)	Boom angle (°)	Load (ton)	Boom angle (°)	Load (ton)	Boom angle (°)	Load (ton)
9.0	82.6	3.75								
10.0	81.8	3.75								
12.0	80.3	3.75								
14.0	78.7	3.75	82.4	2.90						
16.0	77.1	3.75	80.8	2.90						
18.0	75.5	3.75	79.1	2.90	82.7	1.95				
20.0	73.9	3.75	77.3	2.75	81.0	1.95				
22.0	72.1	3.45	75.5	2.55	79.2	1.95	82.2	1.50		
24.0	70.3	3.20	73.7	2.40	77.3	1.85	80.3	1.50	82.4	1.20
26.0	68.5	2.95	71.8	2.25	75.3	1.75	78.2	1.50	80.1	1.20
28.0	66.6	2.75	69.9	2.10	73.4	1.70	76.2	1.45	77.9	1.20
30.0	64.7	2.55	68.0	2.00	71.4	1.60	74.1	1.40	75.7	1.15
32.0	62.7	2.25	66.0	1.90	69.3	1.55	71.8	1.35	73.2	1.15
34.0			64.0	1.80	67.3	1.50	69.6	1.30	70.8	1.15
36.0			61.9	1.70	65.0	1.40	67.4	1.30	68.2	1.15
38.0					62.8	1.35	64.9	1.25	65.5	1.10
40.0									62.8	1.10
Critical boom angle (°)	61		61		62		62		62	
Standard hook	for 7.8 ton									
Hook mass	250kg									
Parts of line	1									

44m Boom + 26.6m SL Jib										
Specification SD1	Outriggers fully extended (8.4m) 360° full range, with 24ton or 16ton counterweight stowed in carrier									
Offset	2°		15°		30°		45°		60°	
Working radius (m)	Boom angle (°)	Load (ton)	Boom angle (°)	Load (ton)	Boom angle (°)	Load (ton)	Boom angle (°)	Load (ton)	Boom angle (°)	Load (ton)
10.0	82.6	2.20								
12.0	81.3	2.20								
14.0	79.8	2.20								
16.0	78.5	2.20	83.2	1.90						
18.0	77.0	2.20	81.7	1.90						
20.0	75.6	2.20	80.1	1.90						
22.0	74.1	2.20	78.6	1.80	83.0	1.20				
24.0	72.6	2.20	77.0	1.70	81.3	1.20				
26.0	71.2	2.20	75.3	1.60	79.7	1.20	83.3	0.90		
28.0	69.5	2.05	73.6	1.50	77.9	1.15	81.5	0.90		
30.0	67.8	1.90	71.8	1.40	76.0	1.10	79.6	0.90	82.1	0.75
32.0	66.0	1.75	70.1	1.35	74.2	1.05	77.6	0.85	80.0	0.75
34.0	64.3	1.65	68.2	1.25	72.4	1.00	75.6	0.85	77.7	0.75
36.0	62.5	1.55	66.4	1.20	70.4	0.95	73.5	0.80	75.4	0.70
38.0			64.5	1.15	68.6	0.95	71.4	0.80	73.0	0.70
40.0					66.5	0.90	69.2	0.80	70.6	0.70
42.0					64.3	0.85	66.9	0.75	67.9	0.70
44.0							64.6	0.75	65.2	0.70
Critical boom angle (°)	62		63		63		63		63	
Standard hook	for 7.8 ton									
Hook mass	250kg									
Parts of line	1									

48m Boom + 9.2m SL Jib										
Specification SD1	Outriggers fully extended (8.4m) 360° full range, with 24ton or 16ton counterweight stowed in carrier									
Offset	5°		15°		30°		45°		60°	
Working radius (m)	Boom angle (°)	Load (ton)	Boom angle (°)	Load (ton)	Boom angle (°)	Load (ton)	Boom angle (°)	Load (ton)	Boom angle (°)	Load (ton)
7.0	82.9	6.00								
8.0	81.9	6.00								
9.0	81.1	6.00	82.5	6.00						
10.0	80.2	6.00	81.6	6.00						
12.0	78.4	6.00	79.8	6.00	81.7	5.90	82.9	4.80		
14.0	76.7	6.00	78.0	6.00	79.8	5.90	81.0	4.80	81.8	3.85
16.0	74.9	6.00	76.2	6.00	77.9	5.75	79.1	4.80	79.7	3.85
18.0	72.9	6.00	74.3	6.00	76.0	5.50	77.1	4.75	77.6	3.85
20.0	71.1	6.00	72.4	6.00	73.9	5.25	75.0	4.60	75.5	3.80
22.0	69.2	6.00	70.5	6.00	71.8	5.05	72.8	4.45	73.3	3.80
24.0	66.8	4.55	68.3	5.00	69.8	4.85	70.7	4.35	71.1	3.75
26.0	64.3	3.30	65.7	3.70	67.5	4.20	68.5	4.25	68.8	3.75
28.0			62.9	2.60	64.9	3.05	66.0	3.35	66.5	3.45
30.0							63.3	2.30	63.5	2.40
Critical boom angle (°)	62		62		62		62		62	
Standard hook	for 7.8 ton									
Hook mass	250kg									
Parts of line	1									

48m Boom + 15.0m SL Jib										
Specification SD1	Outriggers fully extended (8.4m) 360° full range, with 24ton or 16ton counterweight stowed in carrier									
Offset	2°		15°		30°		45°		60°	
Working radius (m)	Boom angle (°)	Load (ton)	Boom angle (°)	Load (ton)	Boom angle (°)	Load (ton)	Boom angle (°)	Load (ton)	Boom angle (°)	Load (ton)
8.0	83.0	4.00								
9.0	82.2	4.00								
10.0	81.4	4.00								
12.0	79.8	4.00	82.7	4.00						
14.0	78.2	4.00	81.0	4.00	83.6	3.15				
16.0	76.5	4.00	79.4	4.00	81.9	3.15				
18.0	74.9	4.00	77.7	4.00	80.2	3.15	82.3	2.50		
20.0	73.2	4.00	75.9	3.95	78.4	3.05	80.4	2.50	81.7	2.00
22.0	71.5	4.00	74.2	3.75	76.6	2.95	78.4	2.50	79.7	2.00
24.0	69.8	4.00	72.3	3.50	74.6	2.80	76.5	2.40	77.6	1.95
26.0	68.0	4.00	70.4	3.35	72.7	2.70	74.5	2.35	75.5	1.95
28.0	65.9	3.10	68.5	3.15	70.7	2.60	72.4	2.25	73.2	1.90
30.0	63.7	2.25	66.5	2.90	68.7	2.50	70.3	2.20	71.1	1.90
32.0					66.6	2.40	68.1	2.15	68.7	1.90
34.0							65.9	2.10	66.3	1.90
Critical boom angle (°)	63		64		64		64		64	
Standard hook	for 7.8 ton									
Hook mass	250kg									
Parts of line	1									





# Super luffing jib (Operation of SL jib)

48m Boom + 20.8m SL Jib										
Specification S01 Outriggers fully extended (8.4m) 360° full range, with 24ton or 16ton counterweight stowed in carrier										
Offset	2°		15°		30°		45°		60°	
Working radius (m)	Boom angle (°)	Load (ton)	Boom angle (°)	Load (ton)	Boom angle (°)	Load (ton)	Boom angle (°)	Load (ton)	Boom angle (°)	Load (ton)
9.0	83.1	3.50								
10.0	82.3	3.50								
12.0	80.9	3.50								
14.0	79.5	3.50	83.1	2.90						
16.0	78.0	3.50	81.6	2.90						
18.0	76.6	3.50	80.0	2.90	83.4	1.95				
20.0	75.1	3.50	78.4	2.80	81.8	1.95				
22.0	73.7	3.50	76.9	2.65	80.1	1.95	82.9	1.50		
24.0	72.0	3.35	75.2	2.50	78.4	1.90	81.1	1.50	83.0	1.20
26.0	70.4	3.10	73.4	2.35	76.6	1.80	79.3	1.50	81.2	1.20
28.0	68.6	2.90	71.7	2.20	74.9	1.75	77.4	1.45	79.1	1.20
30.0	66.9	2.70	70.0	2.10	73.1	1.65	75.5	1.40	77.0	1.15
32.0	65.1	2.35	68.1	1.95	71.2	1.60	73.5	1.35	74.9	1.15
34.0			66.2	1.85	69.3	1.50	71.6	1.35	72.7	1.15
36.0			64.5	1.80	67.4	1.45	69.4	1.30	70.4	1.10
38.0							67.3	1.25	68.1	1.10
40.0									65.6	1.10
Critical boom angle (°)	64		64		65		65		65	
Standard hook	for 7.8 ton									
Hook mass	250kg									
Parts of line	1									

48m Boom + 26.6m SL Jib										
Specification S01 Outriggers fully extended (8.4m) 360° full range, with 24ton or 16ton counterweight stowed in carrier										
Offset	2°		15°		30°		45°		60°	
Working radius (m)	Boom angle (°)	Load (ton)	Boom angle (°)	Load (ton)	Boom angle (°)	Load (ton)	Boom angle (°)	Load (ton)	Boom angle (°)	Load (ton)
10.0	83.1	2.10								
12.0	81.8	2.10								
14.0	80.5	2.10								
16.0	79.2	2.10	83.7	1.85						
18.0	77.9	2.10	82.3	1.85						
20.0	76.5	2.10	80.8	1.85						
22.0	75.2	2.10	79.5	1.85	83.5	1.20				
24.0	73.9	2.10	78.0	1.75	82.0	1.20				
26.0	72.4	2.10	76.4	1.65	80.4	1.20	83.9	0.90		
28.0	71.1	2.10	74.9	1.55	78.9	1.15	82.2	0.90		
30.0	69.6	2.00	73.3	1.45	77.3	1.10	80.5	0.90	82.8	0.75
32.0	68.0	1.85	71.7	1.40	75.6	1.05	78.6	0.85	80.9	0.75
34.0	66.3	1.75	70.0	1.30	73.8	1.00	76.8	0.85	78.8	0.75
36.0			68.4	1.25	72.1	1.00	75.0	0.80	76.7	0.70
38.0			66.6	1.20	70.3	0.95	73.1	0.80	74.7	0.70
40.0					68.4	0.90	71.2	0.80	72.4	0.70
42.0					66.7	0.90	69.2	0.80	70.1	0.70
44.0							67.0	0.75	67.7	0.70
Critical boom angle (°)	65		66		66		66		66	
Standard hook	for 7.8 ton									
Hook mass	250kg									
Parts of line	1									

52m Boom + 9.2m SL Jib										
Specification S01 Outriggers fully extended (8.4m) 360° full range, with 24ton or 16ton counterweight stowed in carrier										
Offset	5°		15°		30°		45°		60°	
Working radius (m)	Boom angle (°)	Load (ton)	Boom angle (°)	Load (ton)	Boom angle (°)	Load (ton)	Boom angle (°)	Load (ton)	Boom angle (°)	Load (ton)
8.0	82.5	5.20								
9.0	81.7	5.20								
10.0	80.9	5.20	82.2	5.20						
12.0	79.3	5.20	80.6	5.20	82.3	5.20				
14.0	77.7	5.20	79.0	5.20	80.7	5.20	81.9	4.80	82.5	3.85
16.0	76.0	5.20	77.3	5.20	79.0	5.20	80.2	4.80	80.7	3.85
18.0	74.4	5.20	75.6	5.20	77.3	5.20	78.4	4.80	78.9	3.85
20.0	72.7	5.20	73.9	5.20	75.6	5.20	76.6	4.65	77.0	3.85
22.0	71.0	5.20	72.2	5.20	73.8	5.15	74.6	4.55	75.0	3.80
24.0	69.2	4.70	70.5	5.15	71.9	4.90	72.7	4.40	73.1	3.75
26.0	66.9	3.45	68.2	3.85	69.9	4.35	70.7	4.20	71.0	3.75
28.0			66.0	2.75	67.5	3.20	68.5	3.55	68.9	3.70
30.0							66.1	2.50	66.5	2.65
Critical boom angle (°)	65		65		65		65		65	
Standard hook	for 7.8 ton									
Hook mass	250kg									
Parts of line	1									

52m Boom + 15.0m SL Jib										
Specification S01 Outriggers fully extended (8.4m) 360° full range, with 24ton or 16ton counterweight stowed in carrier										
Offset	2°		15°		30°		45°		60°	
Working radius (m)	Boom angle (°)	Load (ton)	Boom angle (°)	Load (ton)	Boom angle (°)	Load (ton)	Boom angle (°)	Load (ton)	Boom angle (°)	Load (ton)
9.0	82.8	4.00								
10.0	82.1	4.00								
12.0	80.6	4.00	83.3	4.00						
14.0	79.1	4.00	81.8	4.00						
16.0	77.7	4.00	80.3	4.00	82.6	3.10				
18.0	76.2	4.00	78.8	4.00	81.1	3.10	83.0	2.50		
20.0	74.7	4.00	77.3	4.00	79.5	3.10	81.3	2.50	82.5	1.95
22.0	73.2	4.00	75.6	3.85	77.8	3.00	79.6	2.50	80.7	1.95
24.0	71.6	4.00	74.0	3.65	76.1	2.85	77.8	2.45	78.8	1.95
26.0	70.0	4.00	72.3	3.45	74.4	2.75	76.0	2.35	76.9	1.95
28.0	68.3	3.25	70.6	3.30	72.6	2.65	74.2	2.30	74.9	1.95
30.0			68.8	3.05	70.7	2.55	72.2	2.25	73.0	1.90
32.0					68.9	2.45	70.3	2.20	70.9	1.90
34.0							68.4	2.15	68.8	1.90
Critical boom angle (°)	66		67		67		67		67	
Standard hook	for 7.8 ton									
Hook mass	250kg									
Parts of line	1									

52m Boom + 20.8m SL Jib										
Specification S01 Outriggers fully extended (8.4m) 360° full range, with 24ton or 16ton counterweight stowed in carrier										
Offset	2°		15°		30°		45°		60°	
Working radius (m)	Boom angle (°)	Load (ton)	Boom angle (°)	Load (ton)	Boom angle (°)	Load (ton)	Boom angle (°)	Load (ton)	Boom angle (°)	Load (ton)
10.0	82.7	3.00								
12.0	81.4	3.00								
14.0	80.1	3.00	83.6	2.90						
16.0	78.8	3.00	82.3	2.90						
18.0	77.5	3.00	80.9	2.90						
20.0	76.1	3.00	79.5	2.90	82.5	1.95				
22.0	74.7	3.00	78.0	2.70	81.0	1.95	83.5	1.50		
24.0	73.3	3.00	76.5	2.55	79.4	1.95	81.9	1.50		
26.0	71.9	3.00	74.9	2.40	77.9	1.85	80.3	1.50	81.9	1.15
28.0	70.5	3.00	73.4	2.30	76.2	1.75	78.6	1.50	80.1	1.15
30.0	69.0	2.85	71.7	2.15	74.6	1.70	76.9	1.45	78.2	1.15
32.0	66.5	2.50	70.1	2.05	72.9	1.60	75.1	1.40	76.4	1.15
34.0			68.4	1.95	71.1	1.55	73.3	1.35	74.4	1.15
36.0					69.4	1.50	71.4	1.30	72.3	1.10
38.0							69.5	1.30	70.3	1.10
Critical boom angle (°)	66		67		68		68		68	
Standard hook	for 7.8 ton									
Hook mass	250kg									
Parts of line	1									

52m Boom + 26.6m SL Jib										
Specification S01 Outriggers fully extended (8.4m) 360° full range, with 24ton or 16ton counterweight stowed in carrier										
Offset	2°		15°		30°		45°		60°	
Working radius (m)	Boom angle (°)	Load (ton)	Boom angle (°)	Load (ton)	Boom angle (°)	Load (ton)	Boom angle (°)	Load (ton)	Boom angle (°)	Load (ton)
12.0	82.2	2.00								
14.0	81.1	2.00								
16.0	79.9	2.00	84.1	1.85						
18.0	78.7	2.00	82.8	1.85						
20.0	77.5	2.00	81.6	1.85						
22.0	76.2	2.00	80.3	1.85	83.9	1.15				
24.0	75.0	2.00	78.9	1.75	82.5	1.15				
26.0	73.7	2.00	77.5	1.65	81.1	1.15				
28.0	72.4	2.00	76.1	1.60	79.7	1.15	82.8	0.85		
30.0	71.1	2.00	74.6	1.50	78.2	1.10	81.2	0.85	83.4	0.75
32.0	69.8	1.95	73.2	1.45	76.7	1.05	79.6	0.85	81.6	0.75
34.0	68.3	1.85	71.7	1.35	75.2	1.05	78.0	0.85	79.8	0.75
36.0			70.2	1.30	73.6	1.00	76.3	0.85	78.0	0.70
38.0			68.6	1.25	71.9	0.95	74.6	0.80	76.1	0.70
40.0					70.3	0.95	72.8	0.80	74.1	0.70
42.0							71.1	0.80	72.1	0.70
44.0									70.0	0.70
Critical boom angle (°)	67		68		69		69		69	
Standard hook	for 7.8 ton									
Hook mass	250kg									
Parts of line	1									



# Super luffing jib (Operation of SL jib)

44m Boom + 9.2m SL Jib										
Specification SE1	Outriggers fully extended (8.4m) 360° full range, with 8.5ton counterweight stowed in carrier or without counterweight									
Offset	5°		15°		30°		45°		60°	
Working radius (m)	Boom angle (°)	Load (ton)	Boom angle (°)	Load (ton)	Boom angle (°)	Load (ton)	Boom angle (°)	Load (ton)	Boom angle (°)	Load (ton)
7.0	82.3	7.00								
8.0	81.3	7.00	82.9	7.00						
9.0	80.4	7.00	81.9	7.00						
10.0	79.4	7.00	80.8	7.00	82.8	5.90				
12.0	77.4	7.00	78.9	7.00	80.7	5.90	82.2	4.80		
14.0	75.4	7.00	76.9	7.00	78.6	5.90	80.0	4.80	80.9	3.90
16.0	73.4	7.00	74.9	7.00	76.5	5.60	77.8	4.80	78.6	3.90
18.0	71.3	7.00	72.8	6.60	74.3	5.35	75.5	4.65	76.2	3.85
20.0	69.2	6.40	70.5	6.05	72.1	5.10	73.2	4.50	73.9	3.80
22.0	66.6	4.70	68.1	5.20	69.7	4.85	70.9	4.40	71.3	3.75
24.0	64.0	3.30	65.5	3.75	67.3	4.30	68.4	4.10	68.9	3.75
26.0			62.7	2.55	64.6	3.05	65.8	3.40	66.2	3.55
Critical boom angle (°)	62		62		63		63		63	
Standard hook	for 7.8 ton									
Hook mass	250kg									
Parts of line	1									

44m Boom + 15.0m SL Jib										
Specification SE1	Outriggers fully extended (8.4m) 360° full range, with 8.5ton counterweight stowed in carrier or without counterweight									
Offset	2°		15°		30°		45°		60°	
Working radius (m)	Boom angle (°)	Load (ton)	Boom angle (°)	Load (ton)	Boom angle (°)	Load (ton)	Boom angle (°)	Load (ton)	Boom angle (°)	Load (ton)
8.0	82.4	4.00								
9.0	81.5	4.00								
10.0	80.6	4.00								
12.0	78.8	4.00	81.9	4.00						
14.0	77.0	4.00	80.1	4.00	83.0	3.15				
16.0	75.3	4.00	78.3	4.00	81.1	3.15	83.4	2.55		
18.0	73.4	4.00	76.4	4.00	79.2	3.15	81.4	2.55	83.1	2.00
20.0	71.6	4.00	74.4	3.85	77.1	3.00	79.3	2.55	80.8	2.00
22.0	69.7	4.00	72.5	3.60	75.1	2.85	77.2	2.45	78.5	2.00
24.0	67.7	4.00	70.4	3.40	72.9	2.75	75.0	2.35	76.2	1.95
26.0	65.4	3.10	68.3	3.20	70.8	2.60	72.7	2.30	73.8	1.95
28.0			66.2	2.90	68.6	2.50	70.5	2.25	71.4	1.90
30.0					66.3	2.40	68.1	2.15	68.8	1.90
32.0							65.6	2.10	66.2	1.90
Critical boom angle (°)	64		64		64		64		64	
Standard hook	for 7.8 ton									
Hook mass	250kg									
Parts of line	1									

44m Boom + 20.8m SL Jib										
Specification SE1	Outriggers fully extended (8.4m) 360° full range, with 8.5ton counterweight stowed in carrier or without counterweight									
Offset	2°		15°		30°		45°		60°	
Working radius (m)	Boom angle (°)	Load (ton)	Boom angle (°)	Load (ton)	Boom angle (°)	Load (ton)	Boom angle (°)	Load (ton)	Boom angle (°)	Load (ton)
9.0	82.6	3.75								
10.0	81.8	3.75								
12.0	80.3	3.75								
14.0	78.7	3.75	82.4	2.90						
16.0	77.1	3.75	80.8	2.90						
18.0	75.5	3.75	79.1	2.90	82.7	1.95				
20.0	73.9	3.75	77.3	2.75	81.0	1.95				
22.0	72.1	3.45	75.5	2.55	79.2	1.95	82.2	1.50		
24.0	70.3	3.20	73.7	2.40	77.3	1.85	80.3	1.50	82.4	1.20
26.0	68.5	2.95	71.8	2.25	75.3	1.75	78.2	1.50	80.1	1.20
28.0	66.6	2.75	69.9	2.10	73.4	1.70	76.2	1.45	77.9	1.20
30.0	64.5	2.20	68.0	2.00	71.4	1.60	74.1	1.40	75.7	1.15
32.0			66.0	1.90	69.3	1.55	71.8	1.35	73.2	1.15
34.0					67.3	1.50	69.6	1.30	70.8	1.15
36.0							67.4	1.30	68.2	1.15
38.0									65.5	1.10
Critical boom angle (°)	64		65		65		65		65	
Standard hook	for 7.8 ton									
Hook mass	250kg									
Parts of line	1									

44m Boom + 26.6m SL Jib										
Specification SE1	Outriggers fully extended (8.4m) 360° full range, with 8.5ton counterweight stowed in carrier or without counterweight									
Offset	2°		15°		30°		45°		60°	
Working radius (m)	Boom angle (°)	Load (ton)	Boom angle (°)	Load (ton)	Boom angle (°)	Load (ton)	Boom angle (°)	Load (ton)	Boom angle (°)	Load (ton)
10.0	82.6	2.20								
12.0	81.3	2.20								
14.0	79.8	2.20								
16.0	78.5	2.20	83.2	1.90						
18.0	77.0	2.20	81.7	1.90						
20.0	75.6	2.20	80.1	1.90						
22.0	74.1	2.20	78.6	1.80	83.0	1.20				
24.0	72.6	2.20	77.0	1.70	81.3	1.20				
26.0	71.2	2.20	75.3	1.60	79.7	1.20	83.3	0.90		
28.0	69.5	2.05	73.6	1.50	77.9	1.15	81.5	0.90		
30.0	67.8	1.90	71.8	1.40	76.0	1.10	79.6	0.90	82.1	0.75
32.0	66.0	1.75	70.1	1.35	74.2	1.05	77.6	0.85	80.0	0.75
34.0			68.2	1.25	72.4	1.00	75.6	0.85	77.7	0.75
36.0					70.4	0.95	73.5	0.80	75.4	0.70
38.0					68.6	0.95	71.4	0.80	73.0	0.70
40.0							69.2	0.80	70.6	0.70
42.0									67.9	0.70
Critical boom angle (°)	65		66		67		67		67	
Standard hook	for 7.8 ton									
Hook mass	250kg									
Parts of line	1									

48m Boom + 9.2m SL Jib										
Specification SE1	Outriggers fully extended (8.4m) 360° full range, with 8.5ton counterweight stowed in carrier or without counterweight									
Offset	5°		15°		30°		45°		60°	
Working radius (m)	Boom angle (°)	Load (ton)	Boom angle (°)	Load (ton)	Boom angle (°)	Load (ton)	Boom angle (°)	Load (ton)	Boom angle (°)	Load (ton)
7.0	82.9	6.00								
8.0	81.9	6.00								
9.0	81.1	6.00	82.5	6.00						
10.0	80.2	6.00	81.6	6.00						
12.0	78.4	6.00	79.8	6.00	81.7	5.90	82.9	4.80		
14.0	76.7	6.00	78.0	6.00	79.8	5.90	81.0	4.80	81.8	3.85
16.0	74.9	6.00	76.2	6.00	77.9	5.75	79.1	4.80	79.7	3.85
18.0	72.9	6.00	74.3	6.00	76.0	5.50	77.1	4.75	77.6	3.85
20.0	71.1	6.00	72.4	6.00	73.9	5.25	75.0	4.60	75.5	3.80
22.0	68.8	4.85	70.3	5.35	71.8	5.05	72.8	4.45	73.3	3.80
24.0	66.4	3.50	67.8	3.95	69.7	4.55	70.7	4.35	71.1	3.75
26.0					67.1	3.25	68.3	3.60	68.8	3.75
28.0							65.7	2.50	66.1	2.60
Critical boom angle (°)	65		65		65		65		65	
Standard hook	for 7.8 ton									
Hook mass	250kg									
Parts of line	1									

48m Boom + 15.0m SL Jib										
Specification SE1	Outriggers fully extended (8.4m) 360° full range, with 8.5ton counterweight stowed in carrier or without counterweight									
Offset	2°		15°		30°		45°		60°	
Working radius (m)	Boom angle (°)	Load (ton)	Boom angle (°)	Load (ton)	Boom angle (°)	Load (ton)	Boom angle (°)	Load (ton)	Boom angle (°)	Load (ton)
8.0	83.0	4.00								
9.0	82.2	4.00								
10.0	81.4	4.00								
12.0	79.8	4.00	82.7	4.00						
14.0	78.2	4.00	81.0	4.00	83.6	3.15				
16.0	76.5	4.00	79.4	4.00	81.9	3.15				
18.0	74.9	4.00	77.7	4.00	80.2	3.15	82.3	2.50		
20.0	73.2	4.00	75.9	3.95	78.4	3.05	80.4	2.50	81.7	2.00
22.0	71.5	4.00	74.2	3.75	76.6	2.95	78.4	2.50	79.7	2.00
24.0	69.8	4.00	72.3	3.50	74.6	2.80	76.5	2.40	77.6	1.95
26.0	67.7	3.25	70.4	3.35	72.7	2.70	74.5	2.35	75.5	1.95
28.0			68.5	3.05	70.7	2.60	72.4	2.25	73.2	1.90
30.0					68.7	2.50	70.3	2.20	71.1	1.90
32.0							68.1	2.15	68.7	1.90
Critical boom angle (°)	66		67		67		67		67	
Standard hook	for 7.8 ton									
Hook mass	250kg									
Parts of line	1									



# Super luffing jib (Operation of SL jib)

48m Boom + 20.8m SL Jib										
Specification SE1	Outriggers fully extended (8.4m) 360° full range, with 8.5ton counterweight stowed in carrier or without counterweight									
Offset	2°		15°		30°		45°		60°	
Working radius (m)	Boom angle (°)	Load (ton)	Boom angle (°)	Load (ton)	Boom angle (°)	Load (ton)	Boom angle (°)	Load (ton)	Boom angle (°)	Load (ton)
9.0	83.1	3.50								
10.0	82.3	3.50								
12.0	80.9	3.50								
14.0	79.5	3.50	83.1	2.90						
16.0	78.0	3.50	81.6	2.90						
18.0	76.6	3.50	80.0	2.90	83.4	1.95				
20.0	75.1	3.50	78.4	2.80	81.8	1.95				
22.0	73.7	3.50	76.9	2.65	80.1	1.95	82.9	1.50		
24.0	72.0	3.35	75.2	2.50	78.4	1.90	81.1	1.50	83.0	1.20
26.0	70.4	3.10	73.4	2.35	76.6	1.80	79.3	1.50	81.2	1.20
28.0	68.6	2.90	71.7	2.20	74.9	1.75	77.4	1.45	79.1	1.20
30.0			70.0	2.10	73.1	1.65	75.5	1.40	77.0	1.15
32.0			68.1	1.95	71.2	1.60	73.5	1.35	74.9	1.15
34.0					69.3	1.50	71.6	1.35	72.7	1.15
36.0							69.4	1.30	70.4	1.10
Critical boom angle (°)	67		67		68		68		68	
Standard hook	for 7.8 ton									
Hook mass	250kg									
Parts of line	1									

48m Boom + 26.6m SL Jib										
Specification SE1	Outriggers fully extended (8.4m) 360° full range, with 8.5ton counterweight stowed in carrier or without counterweight									
Offset	2°		15°		30°		45°		60°	
Working radius (m)	Boom angle (°)	Load (ton)	Boom angle (°)	Load (ton)	Boom angle (°)	Load (ton)	Boom angle (°)	Load (ton)	Boom angle (°)	Load (ton)
10.0	83.1	2.10								
12.0	81.8	2.10								
14.0	80.5	2.10								
16.0	79.2	2.10	83.7	1.85						
18.0	77.9	2.10	82.3	1.85						
20.0	76.5	2.10	80.8	1.85						
22.0	75.2	2.10	79.5	1.85	83.5	1.20				
24.0	73.9	2.10	78.0	1.75	82.0	1.20				
26.0	72.4	2.10	76.4	1.65	80.4	1.20	83.9	0.90		
28.0	71.1	2.10	74.9	1.55	78.9	1.15	82.2	0.90		
30.0	69.6	2.00	73.3	1.45	77.3	1.10	80.5	0.90	82.8	0.75
32.0			71.7	1.40	75.6	1.05	78.6	0.85	80.9	0.75
34.0			70.0	1.30	73.8	1.00	76.8	0.85	78.8	0.75
36.0					72.1	1.00	75.0	0.80	76.7	0.70
38.0					70.3	0.95	73.1	0.80	74.7	0.70
40.0							71.2	0.80	72.4	0.70
42.0									70.1	0.70
Critical boom angle (°)	68		68		69		69		69	
Standard hook	for 7.8 ton									
Hook mass	250kg									
Parts of line	1									

52m Boom + 9.2m SL Jib										
Specification SE1	Outriggers fully extended (8.4m) 360° full range, with 8.5ton counterweight stowed in carrier or without counterweight									
Offset	5°		15°		30°		45°		60°	
Working radius (m)	Boom angle (°)	Load (ton)	Boom angle (°)	Load (ton)	Boom angle (°)	Load (ton)	Boom angle (°)	Load (ton)	Boom angle (°)	Load (ton)
8.0	82.5	5.20								
9.0	81.7	5.20								
10.0	80.9	5.20	82.2	5.20						
12.0	79.3	5.20	80.6	5.20	82.3	5.20				
14.0	77.7	5.20	79.0	5.20	80.7	5.20	81.9	4.80	82.5	3.85
16.0	76.0	5.20	77.3	5.20	79.0	5.20	80.2	4.80	80.7	3.85
18.0	74.4	5.20	75.6	5.20	77.3	5.20	78.4	4.80	78.9	3.85
20.0	72.7	5.20	73.9	5.20	75.6	5.20	76.6	4.65	77.0	3.85
22.0	70.8	4.85	72.2	5.20	73.8	5.15	74.6	4.55	75.0	3.80
24.0	68.6	3.55	70.0	4.00	71.7	4.60	72.7	4.40	73.1	3.75
26.0					69.4	3.40	70.6	3.80	71.0	3.75
28.0									68.5	2.85
Critical boom angle (°)	68		68		68		68		68	
Standard hook	for 7.8 ton									
Hook mass	250kg									
Parts of line	1									

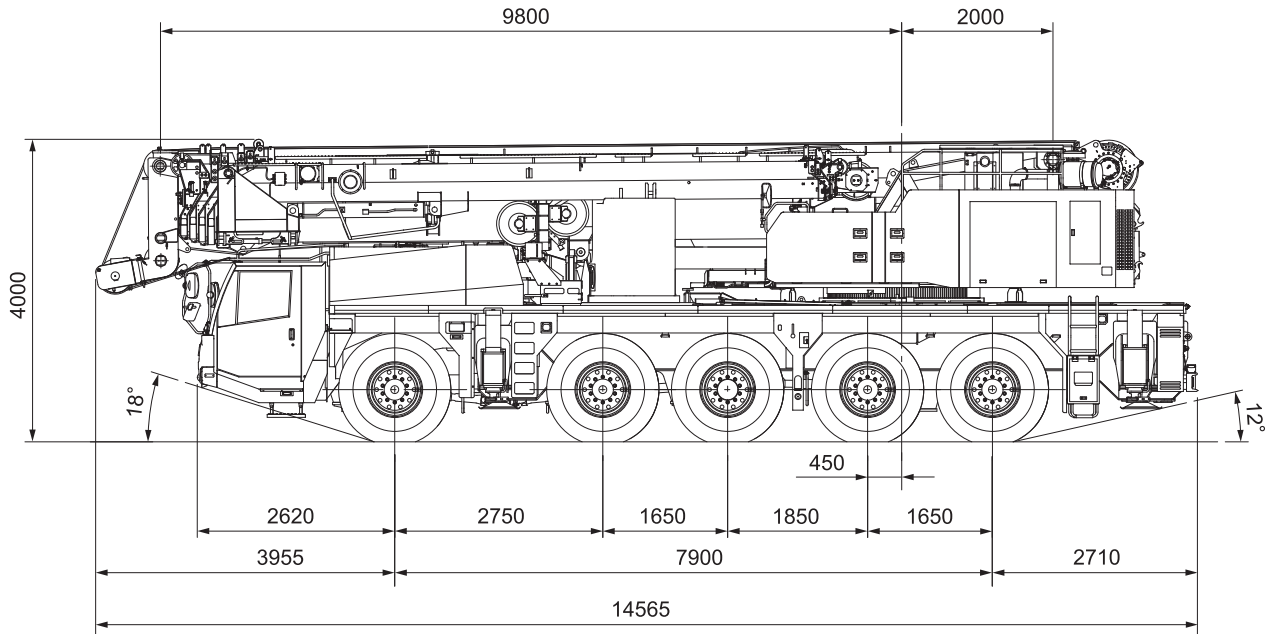
52m Boom + 15.0m SL Jib										
Specification SE1	Outriggers fully extended (8.4m) 360° full range, with 8.5ton counterweight stowed in carrier or without counterweight									
Offset	2°		15°		30°		45°		60°	
Working radius (m)	Boom angle (°)	Load (ton)	Boom angle (°)	Load (ton)	Boom angle (°)	Load (ton)	Boom angle (°)	Load (ton)	Boom angle (°)	Load (ton)
9.0	82.8	4.00								
10.0	82.1	4.00								
12.0	80.6	4.00	83.3	4.00						
14.0	79.1	4.00	81.8	4.00						
16.0	77.7	4.00	80.3	4.00	82.6	3.10				
18.0	76.2	4.00	78.8	4.00	81.1	3.10	83.0	2.50		
20.0	74.7	4.00	77.3	4.00	79.5	3.10	81.3	2.50	82.5	1.95
22.0	73.2	4.00	75.6	3.85	77.8	3.00	79.6	2.50	80.7	1.95
24.0	71.6	4.00	74.0	3.65	76.1	2.85	77.8	2.45	78.8	1.95
26.0	69.6	3.20	72.3	3.45	74.4	2.75	76.0	2.35	76.9	1.95
28.0			70.5	3.10	72.6	2.65	74.2	2.30	74.9	1.95
30.0					70.7	2.55	72.2	2.25	73.0	1.90
32.0									70.9	1.90
Critical boom angle (°)	69		69		70		70		70	
Standard hook	for 7.8 ton									
Hook mass	250kg									
Parts of line	1									

52m Boom + 20.8m SL Jib										
Specification SE1	Outriggers fully extended (8.4m) 360° full range, with 8.5ton counterweight stowed in carrier or without counterweight									
Offset	2°		15°		30°		45°		60°	
Working radius (m)	Boom angle (°)	Load (ton)	Boom angle (°)	Load (ton)	Boom angle (°)	Load (ton)	Boom angle (°)	Load (ton)	Boom angle (°)	Load (ton)
10.0	82.7	3.00								
12.0	81.4	3.00								
14.0	80.1	3.00	83.6	2.90						
16.0	78.8	3.00	82.3	2.90						
18.0	77.5	3.00	80.9	2.90						
20.0	76.1	3.00	79.5	2.90	82.5	1.95				
22.0	74.7	3.00	78.0	2.70	81.0	1.95	83.5	1.50		
24.0	73.3	3.00	76.5	2.55	79.4	1.95	81.9	1.50		
26.0	71.9	3.00	74.9	2.40	77.9	1.85	80.3	1.50	81.9	1.15
28.0	70.5	3.00	73.4	2.30	76.2	1.75	78.6	1.50	80.1	1.15
30.0			71.7	2.15	74.6	1.70	76.9	1.45	78.2	1.15
32.0					72.9	1.60	75.1	1.40	76.4	1.15
34.0					71.1	1.55	73.3	1.35	74.4	1.15
36.0									72.3	1.10
Critical boom angle (°)	69		70		70		71		71	
Standard hook	for 7.8 ton									
Hook mass	250kg									
Parts of line	1									

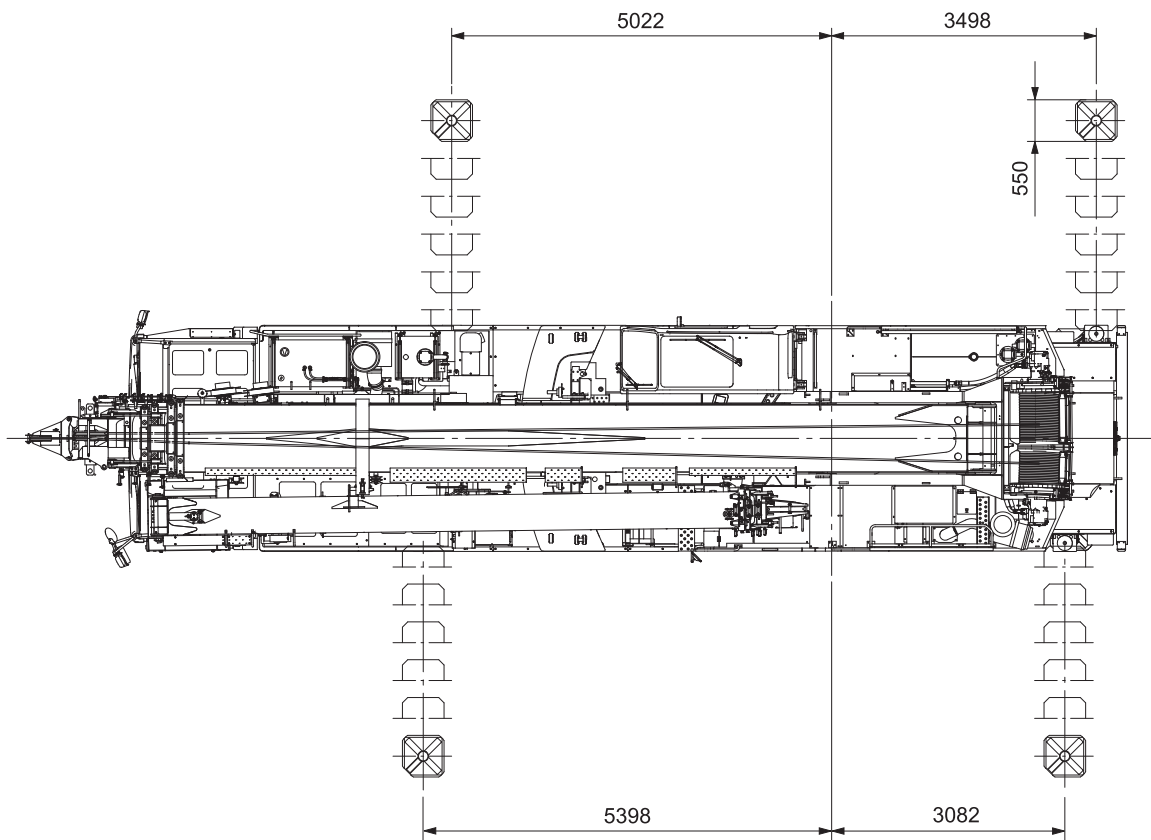
52m Boom + 26.6m SL Jib										
Specification SE1	Outriggers fully extended (8.4m) 360° full range, with 8.5ton counterweight stowed in carrier or without counterweight									
Offset	2°		15°		30°		45°		60°	
Working radius (m)	Boom angle (°)	Load (ton)	Boom angle (°)	Load (ton)	Boom angle (°)	Load (ton)	Boom angle (°)	Load (ton)	Boom angle (°)	Load (ton)
12.0	82.2	2.00								
14.0	81.1	2.00								
16.0	79.9	2.00	84.1	1.85						
18.0	78.7	2.00	82.8	1.85						
20.0	77.5	2.00	81.6	1.85						
22.0	76.2	2.00	80.3	1.85	83.9	1.15				
24.0	75.0	2.00	78.9	1.75	82.5	1.15				
26.0	73.7	2.00	77.5	1.65	81.1	1.15				
28.0	72.4	2.00	76.1	1.60	79.7	1.15	82.8	0.85		
30.0	71.1	2.00	74.6	1.50	78.2	1.10	81.2	0.85	83.4	0.75
32.0			73.2	1.45	76.7	1.05	79.6	0.85	81.6	0.75
34.0			71.7	1.35	75.2	1.05	78.0	0.85	79.8	0.75
36.0					73.6	1.00	76.3	0.85	78.0	0.70
38.0					71.9	0.95	74.6	0.80	76.1	0.70
40.0							72.8	0.80	74.1	0.70
Critical boom angle (°)	70		71		71		72		72	
Standard hook	for 7.8 ton									
Hook mass	250kg									
Parts of line	1									



Overall view

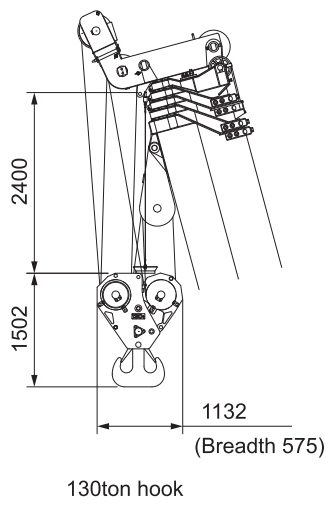
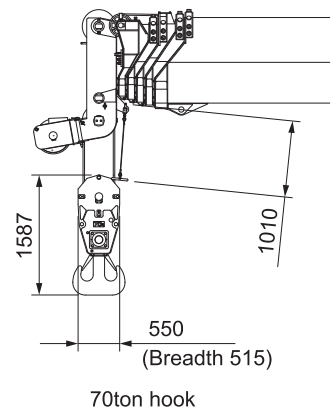
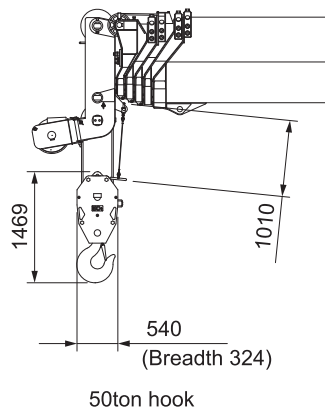
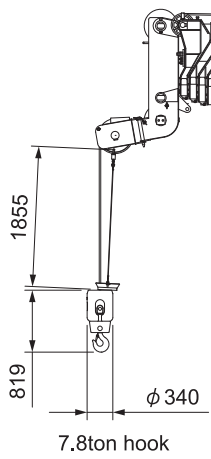


\* Work site driving position  
(with 16t counterweight mounted)

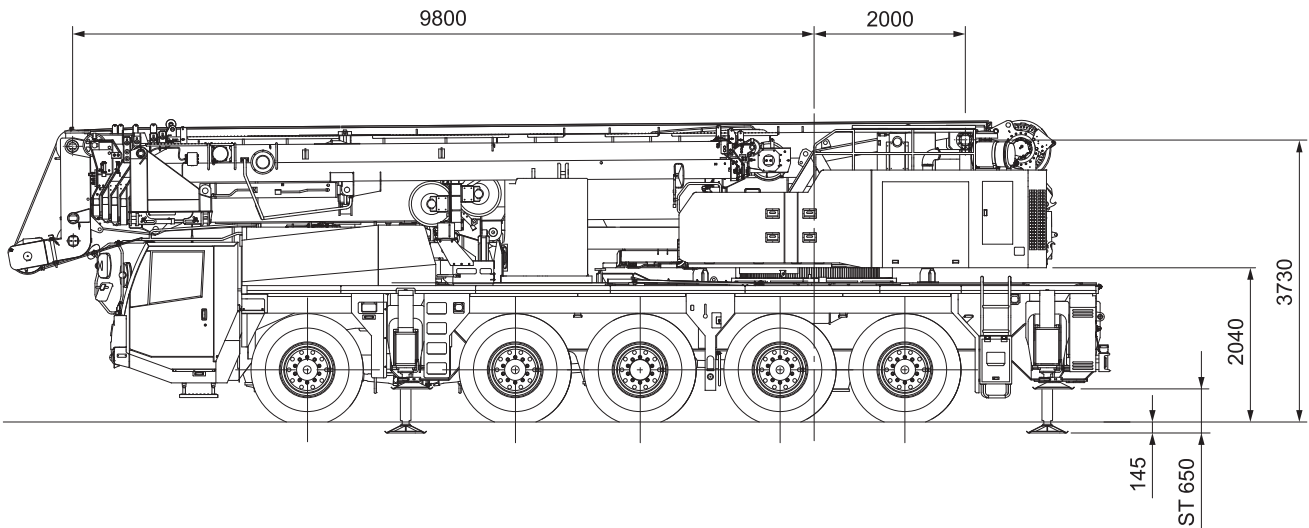
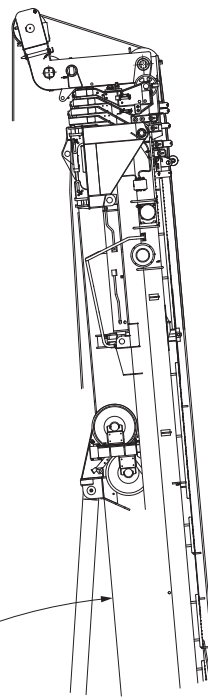


Reduced scale: 1/100 unit (mm)

Overall view

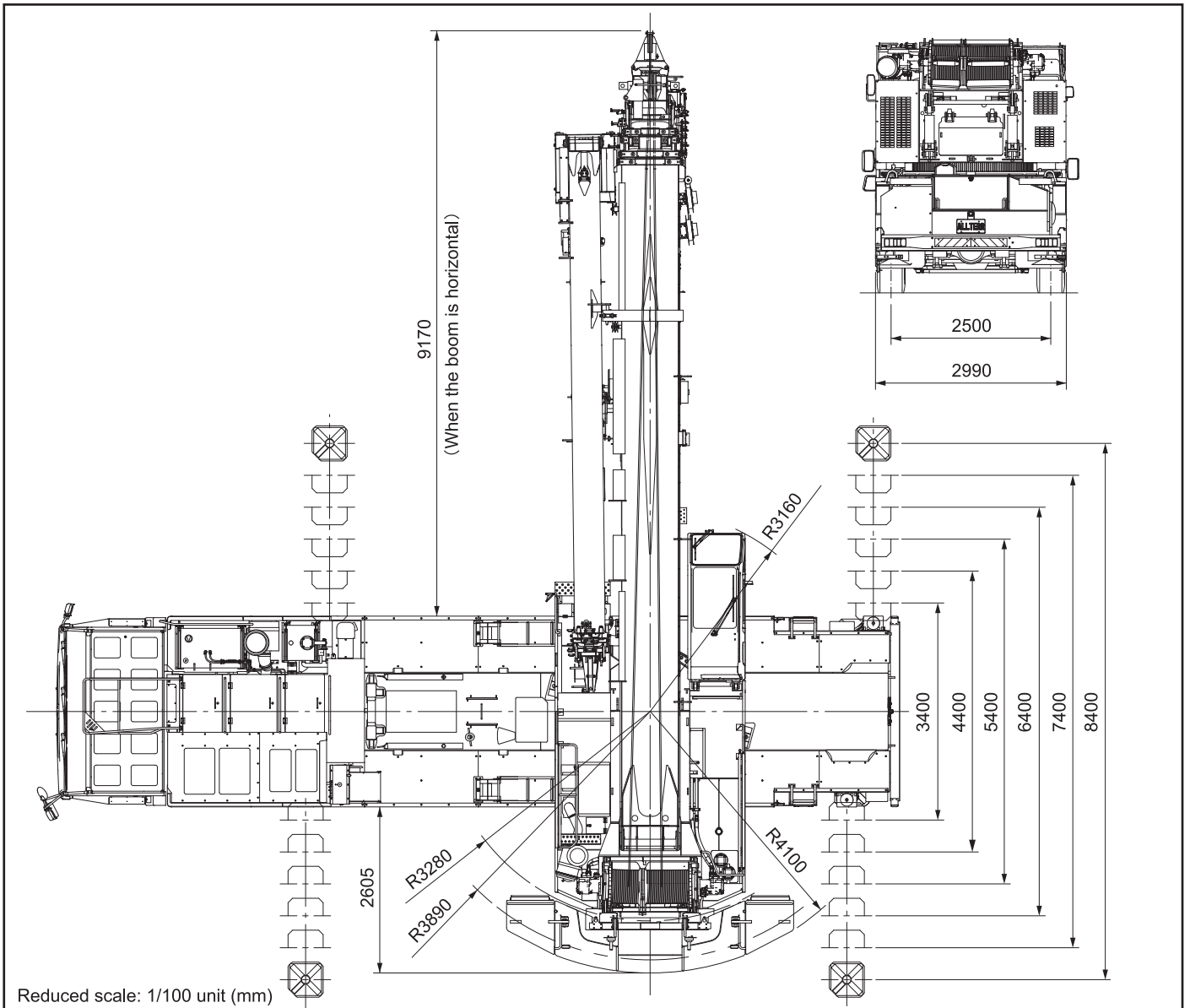


Boom derricking lowering angle  
0°—85°

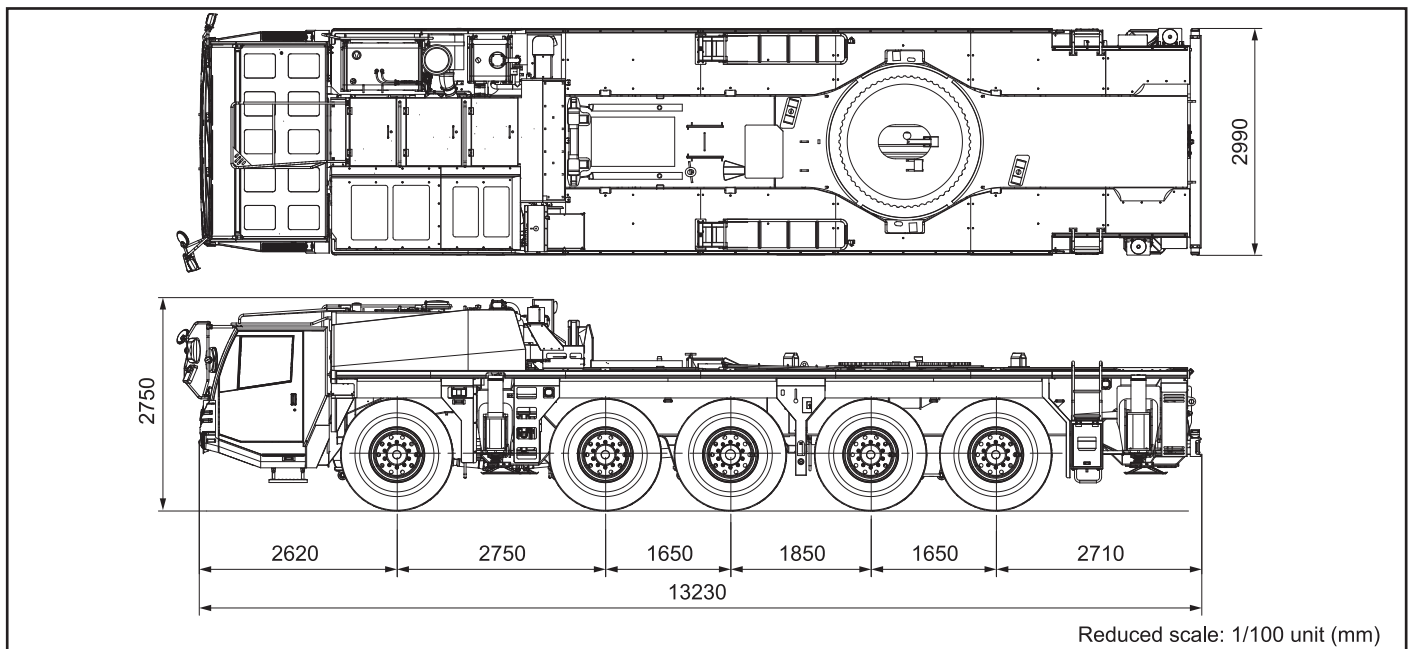


Reduced scale: 1/100 unit (mm)

Overall view

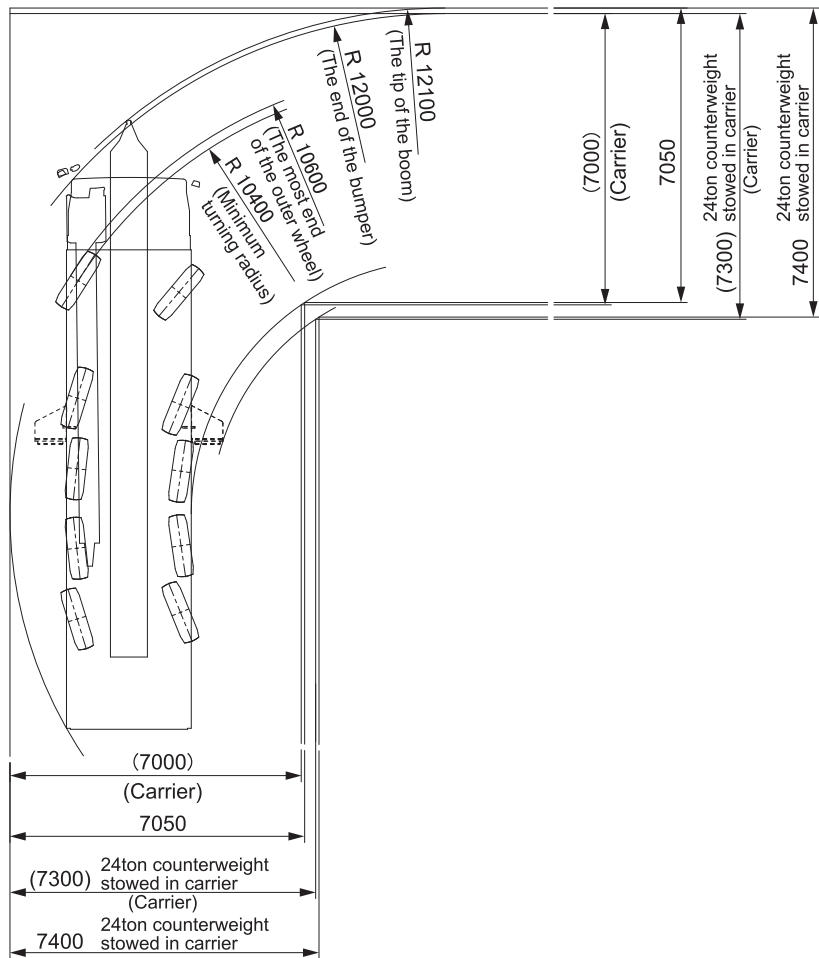


Public road driving conditions

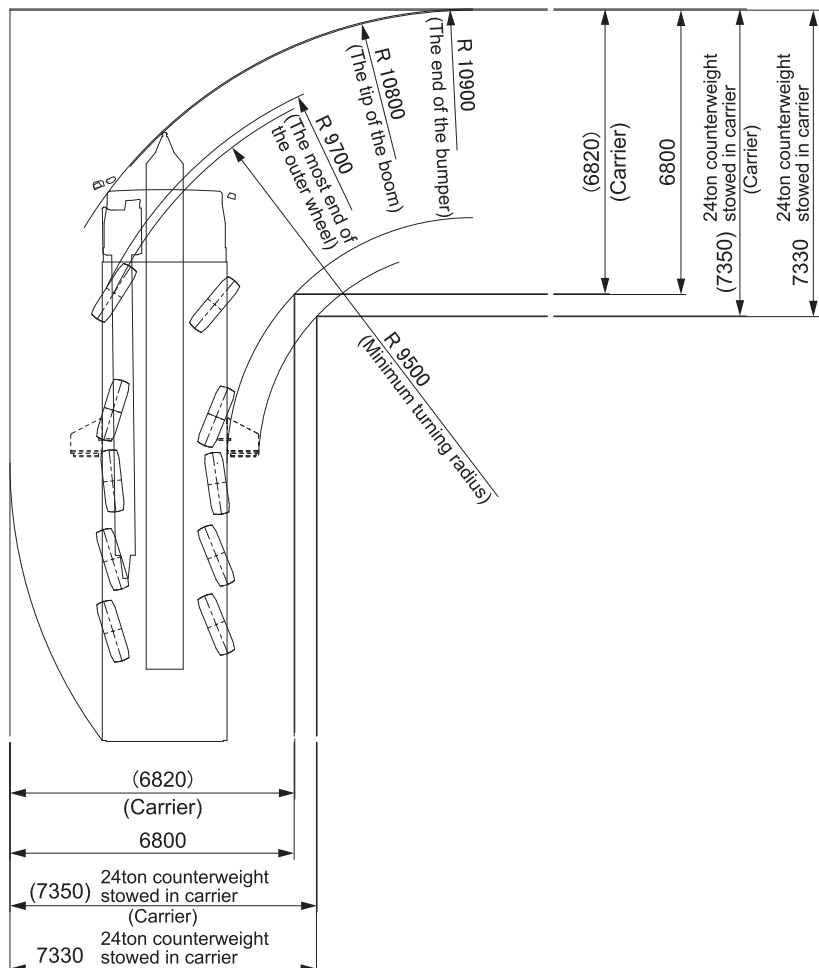


■ Minimum right-angle passage width for machine with Jib

- When driving within work site



- When driving within work site (Special steering)

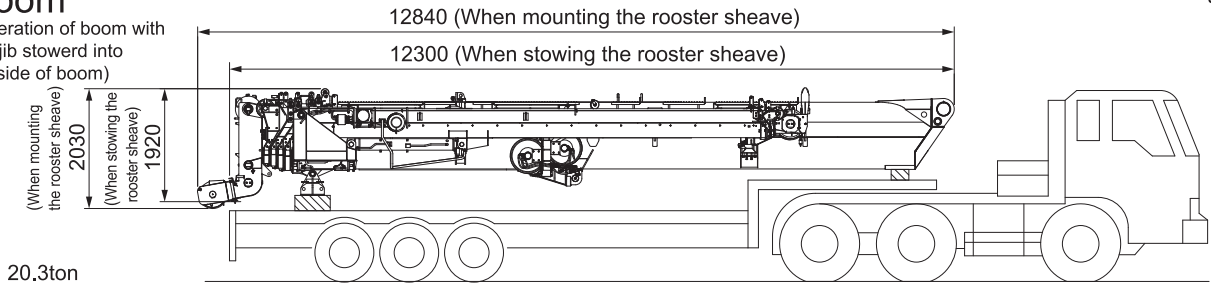




## ■ Dimensions and weight

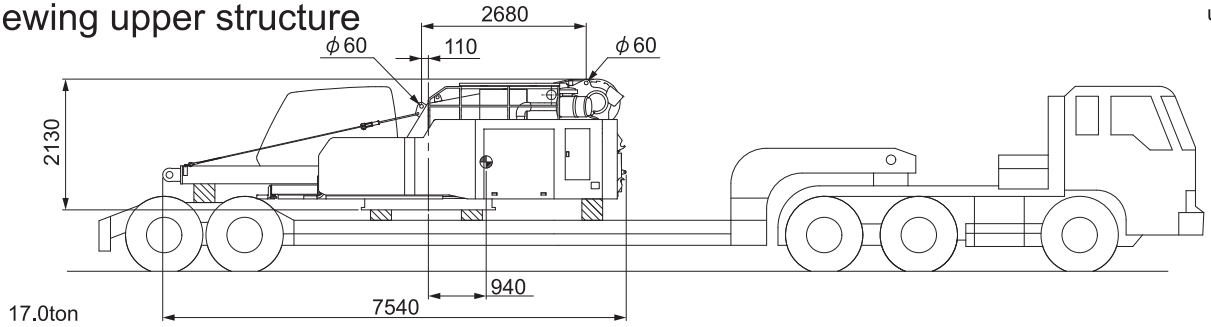
### ● Boom

(Operation of boom with SL jib stowed into leftside of boom)



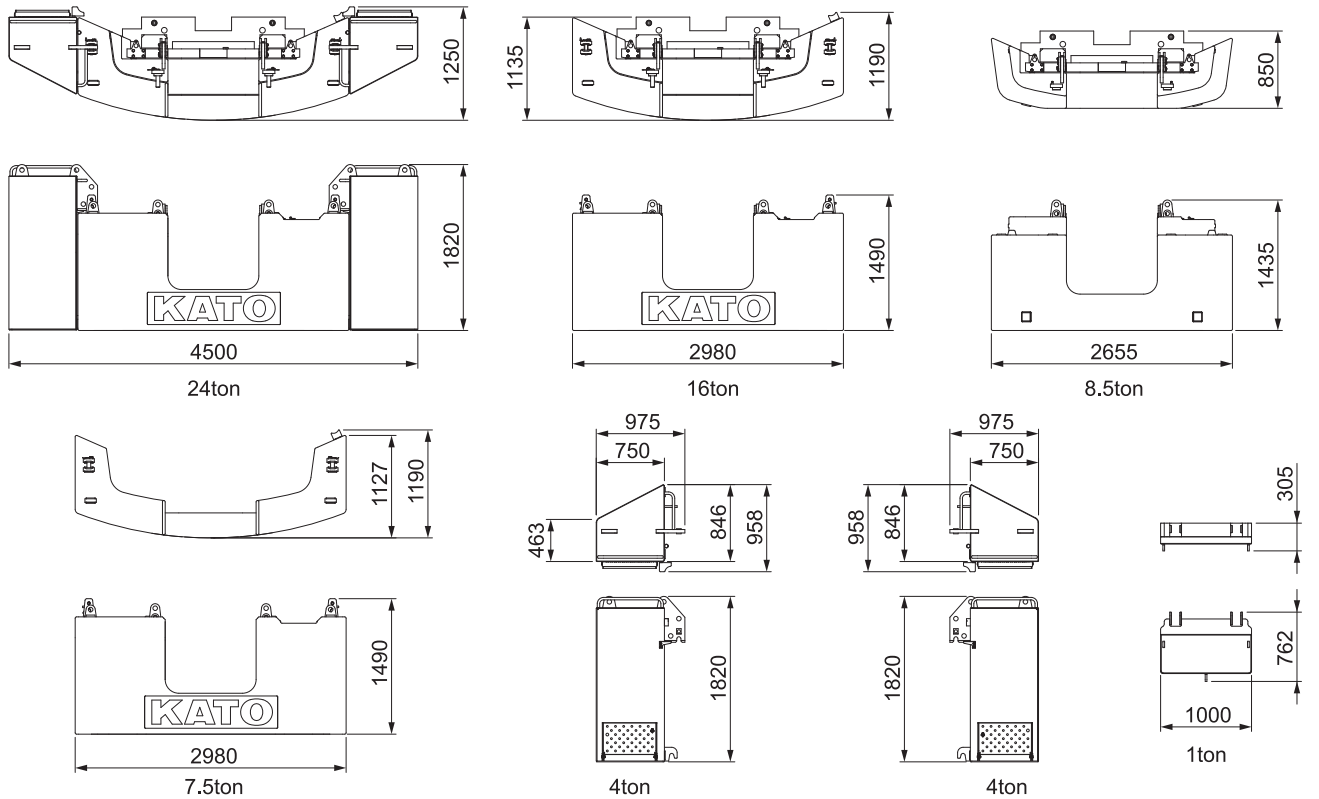
unit (mm)

### ● Slewing upper structure



unit (mm)

### ● Counterweight



unit (mm)

\* KATO products and specifications are subject to improvements and changes without notice.

Address inquiries to:

**KATO**  
**KATO WORKS CO.,LTD.**

9-37, Higashi-ohi 1-chome, Shinagawa-ku, Tokyo, 140-0011, Japan

Tel. : Head Office Tokyo (03) 3458-1111

Overseas Marketing Department. Tokyo (03) 3458-1115

Fax. : Tokyo (03) 3458-1163

URL <http://www.kato-works.co.jp>

**C04172**  
3.2016-200 (TI) 2



We acquired the "ISO 9001" certification which is an international standard for quality assurance.